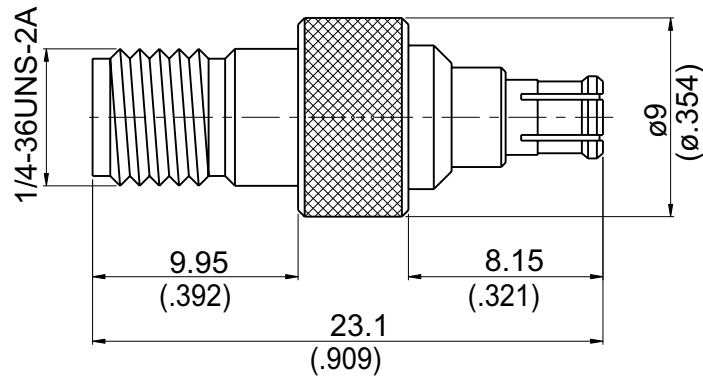


AD-A8D3

SMA Jack To MCX Plug

50Ω



Typical VSWR

Part Number	1 GHz	2~4 GHz	5 GHz	6 GHz
AD-A8D3	1.05	1.06	1.08	1.31

Parts	Material	Plating (Micro-inch)
Contact Pin	Beryllium Copper	Gold 10 Over Nickel 50 Over Copper 50
Insulator	Teflon	
Body(MCX)	Beryllium Copper	Gold 5 Over Nickel 50 Over Copper 50
Body(SMA)	Brass	Gold 5 Over Nickel 50 Over Copper 50

Weight: 3.98 g

This part number complies with RoHS.

Notice: JYEBAO reserves the right to make modifications deemed appropriate.