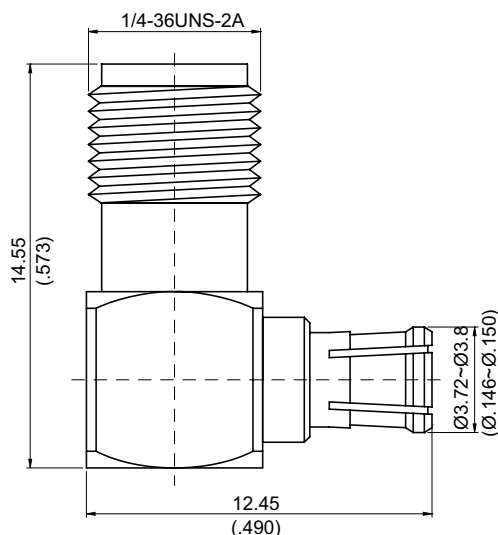


AL-A8D3

SMA Jack To MCX Plug R/A

50Ω



Typical VSWR

Part Number	1 Ghz	2 Ghz	3 Ghz	4 Ghz	5 Ghz	6 Ghz
AL-A8D3	1.05	1.05	1.09	1.12	1.15	1.28

Parts	Material	Plating (Micro-inch)
Cover	Brass	Gold 5 Over Nickel 50 Over Copper 50
Contact Pin(MCX)	Brass	Gold 20 Over Nickel 50 Over Copper 50
Insulator	Teflon	
Body(MCX)	Beryllium Copper	Gold 5 Over Nickel 50 Over Copper 50
Body(SMA)	Brass	Gold 5 Over Nickel 50 Over Copper 50
Contact Pin(SMA)	Beryllium Copper	Gold 20 Over Nickel 50 Over Copper 50

Weight: 2.93 g

This part number complies with RoHS.

Notice: JYEBAO reserves the right to make modifications deemed appropriate.