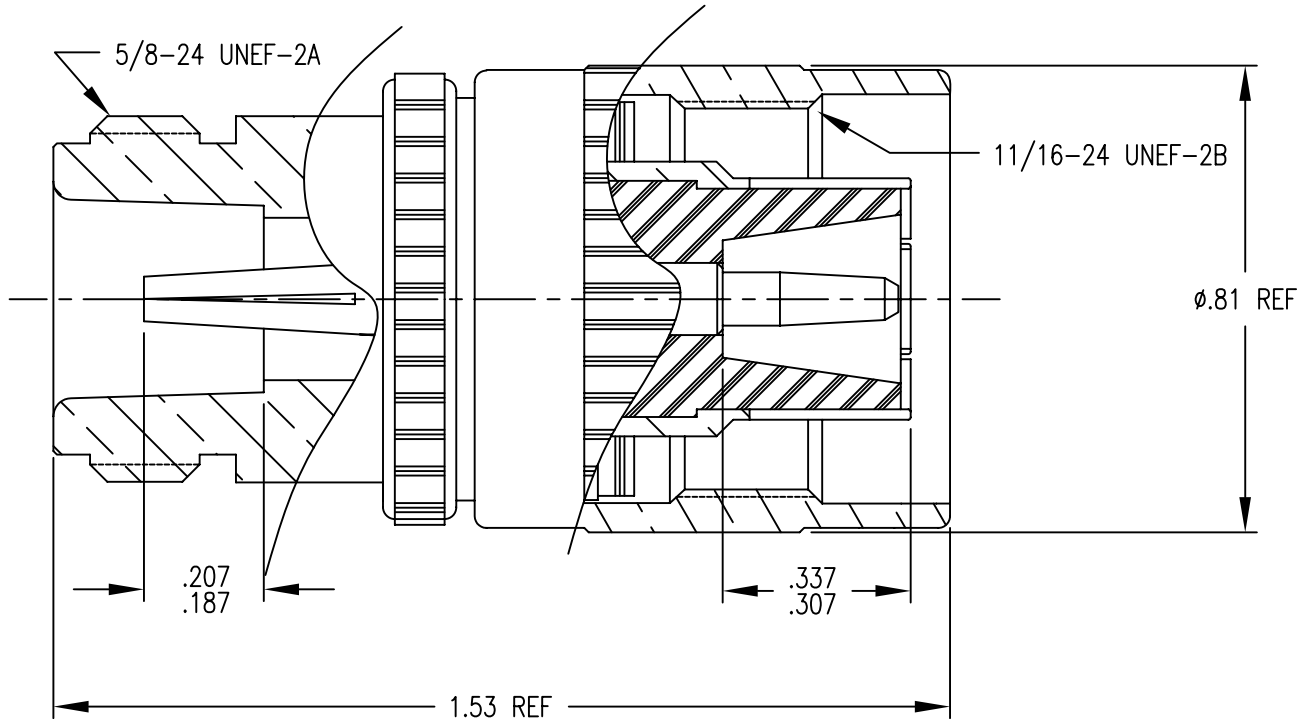


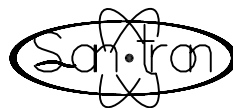
- 1.0 PERFORMANCE  
 1.1 FREQUENCY RANGE: DC - 11 GHz  
 1.2 VOLTAGE RATING: 1000V RMS (sea level)  
 1.3 NOMINAL IMPEDANCE: 50 OHMS  
 1.4 DWV: 2500V RMS @ 60Hz (sea level)  
 1.4 TEMPERATURE RANGE: -65°C TO +165°C  
 2.0 MATERIALS  
 2.1 DIELECTRIC: TEFLON, ASTM-D-1710  
 2.2 CENTER CONTACT: BeCu ASTM-B-196

- 2.3 LOCKING RING: PHOSPHOR BRONZE, ASTM-B-159, ALLOY 510  
 2.4 ALL OTHER METAL PARTS: BRASS, ASTM-B-16  
 2.5 GASKET: SILICON RUBBER, ZZ-R-765, GR. 50, RED  
 3.0 FINISHES  
 3.1 CENTER CONTACT: SILVER PLATED  
 3.2 ALL OTHER METAL PARTS: NICKEL PLATED  
 4.0 MECHANICAL  
 4.1 INTERFACES IN ACCORDANCE WITH MIL-STD-348



A	ORIGINAL	9/10/02	<input checked="" type="checkbox"/>	<input checked="" type="checkbox"/>	
Rev.	Revisions	Date	Dwn.	Appd.	
	RECOM. STOCK SIZE	FT/M PCS	QTY REQD		

PROPRIETARY  
 THIS DRAWING CONTAINS CONFIDENTIAL INFORMATION  
 PROPRIETARY TO SAN\*TRON INC. IT MUST NOT BE  
 REPRODUCED OR DISCLOSED TO OTHERS OR USED IN  
 ANY OTHER WAY, IN WHOLE OR PART EXCEPT AS  
 AUTHORIZED IN WRITING BY SAN\*TRON INCORPORATED.



SAN • TRON, INC.

4 NEWBURYPORT TPK, IPSWICH, MA 01938

REMOVE ALL BURRS AND SHARP  
 EDGES .005 MAX.  
 UNLESS OTHERWISE STATED  
 ALL DIMENSIONS ARE IN INCHES  
 AND APPLY AFTER PLATING

TITLE ADAPTER N JACK : SC PLUG

UNSPECIFIED TOL.	DWN	FSH	9/10/02
DEC. ± .005	CHKD	FSH	9/10/02
FRAC. ± 1/64	APPR	FSH	9/10/02
ANG. ± 1/2°			

MATERIAL: SEE NOTE 2.0      FINISH: SEE NOTE 3.0

CONCENTRICITY .004 TIR 63/ ✓  
 ALL MACHINED SURFACES

FSCM NO. 50896      DWG NO. OL-0910-25-1      REV. A  
 SCALE 3:1