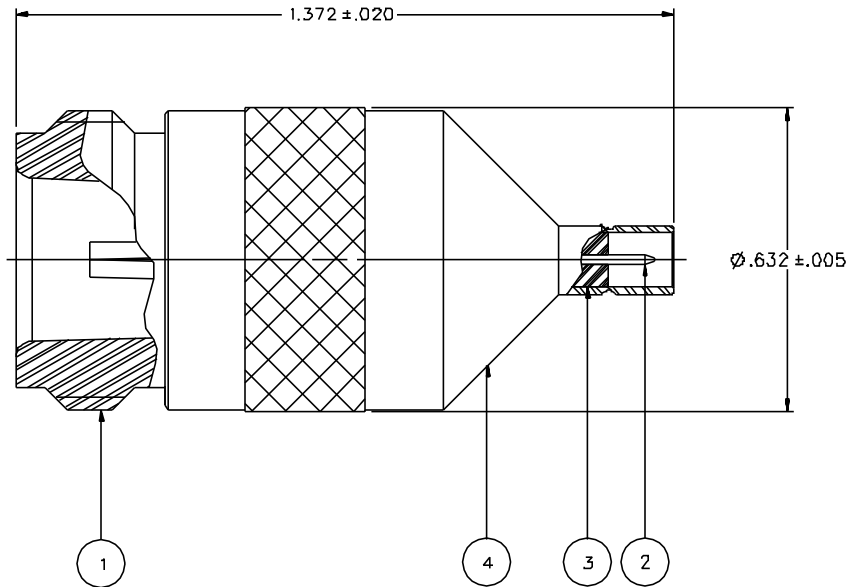


PART NUMBER 134-1069-031	ITEM ① N BODY STAINLESS STEEL PASSIVATED	ITEM ② CONTACT BERYLLIUM COPPER GOLD PL .00003 MIN OVER NICKEL PL .00005 MIN OVER COPPER PL .00005 MIN	ITEM ③ INSULATOR TEFLON	ITEM ④ REAR BODY STAINLESS STEEL PASSIVATED
-----------------------------	---	---	-------------------------------	--

DRAWING NO. C - 134-1069-031/040			
0 REVISIONS			
ENGINEERING RELEASE			
1	1-15-92	R H R R R R R R	1-16-92 ECN 40820
ADDED: 1000 VRMS DMV TO SPECS			
2	6-18-92	R H R R R R R R	6-23-92 ECN 41092
VERSION UPDATE			
* REVISION NUMBER FOLLOWED BY AN ALPHA *			
* CHARACTER INDICATES DRAWING CLARIF. *			
* CATION OR PART NUMBER ADDITION ONLY. *			
2a	6-18-99	R H R R R R R R	ECN 46488



NOTES:

1. SPECIFICATIONS:

IMPEDENCE: 75 OHMS
 FREQUENCY RANGE: 0-2 GHz
 VSWR: 1.05 ± .01F MAX (F IN GHz)
 WORKING VOLTAGE: 335 VRMS MAX AT SEA LEVEL
 DIELECTRIC WITHSTANDING VOLTAGE: 1000 VRMS MIN AT SEA LEVEL
 INSULATION RESISTANCE: 1000 MEGOHM MIN
 CONTACT RESISTANCE:

CENTER CONTACT - INITIAL 12 MILLIOHM MAX, AFTER ENVIRONMENTAL 16 MILLIOHM MAX
 OUTER CONDUCTOR - PASSIVATED INITIAL 2.5 MILLIOHM MAX, AFTER ENVIRONMENTAL 3.5 MILLIOHM MAX

BRAID TO BODY - NOT APPLICABLE
 CORONA LEVEL: NOT APPLICABLE
 INSERTION LOSS: NOT APPLICABLE
 RF LEAKAGE: NOT APPLICABLE
 RF HIGH POTENTIAL WITHSTANDING VOLTAGE: 600 VRMS AT 4 AND 7 MHZ

MECHANICAL:

ENGAGE/DISENGAGE FORCE (MINI/SMB): INITIAL 14 LBS MAX AFTER DURABILITY 14 LBS MAX
 ENGAGEMENT: 2 LBS MIN DISENGAGEMENT

MATING TORQUE (75 OHM TYPE N): 6 IN-LB MIN WITH MATING PART
 COUPLING PROOF TORQUE: NOT APPLICABLE
 COUPLING NUT RETENTION: NOT APPLICABLE
 CONTACT RETENTION: 4 LBS MIN AXIAL FORCE
 CABLE ACCEPTABILITY: NOT APPLICABLE
 CABLE HEX CRIMP SIZE: NOT APPLICABLE
 CABLE RETENTION: NOT APPLICABLE
 DURABILITY: 500 CYCLES MIN

ENVIRONMENTAL:


(MEETS OR EXCEEDS THE APPLICABLE PARAGRAPH OF MIL-C-39012)
 THERMAL SHOCK: MIL-STD-202, METHOD 107, CONDITION B
 OPERATING TEMPERATURE: -65 DEG C TO 165 DEG C
 CORROSION: MIL-STD-202, METHOD 101, CONDITION B
 SHOCK: MIL-STD-202, METHOD 213, CONDITION B
 VIBRATION: MIL-STD-202, METHOD 204, CONDITION B

CUSTOMER DRAWING

THIS DRAWING TO BE INTERPRETED PER ANSI Y 14.5M - 1982

"µSTATION"

COMPANY CONFIDENTIAL

TOLERANCE UNLESS OTHERWISE SPECIFIED		DRAWN BY VET	DATE 5-29-91	 299 Johnson Ave. P.O. Box 1732 Waseca, MN 56093-0832
DECIMALS .XX	mm	CHECKED BY VET	DATE 1-15-92	
.XXX		APPROVED BY VET	DATE 1-15-92	TITLE ADAPTER ASSEMBLY 75 OHM TYPE N JACK - MINI 75 OHM SMB JACK
MATL		APPROVED BY TAK/RJB	DATE 1-15-92	CODE NO.
FINISH		RELEASE DATE	1-16-92	DRAWING NO. C - 134-1069-031/040
		SCALE 5:1	U/N INCH	SHEET 2 OF 2