

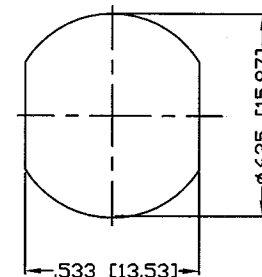
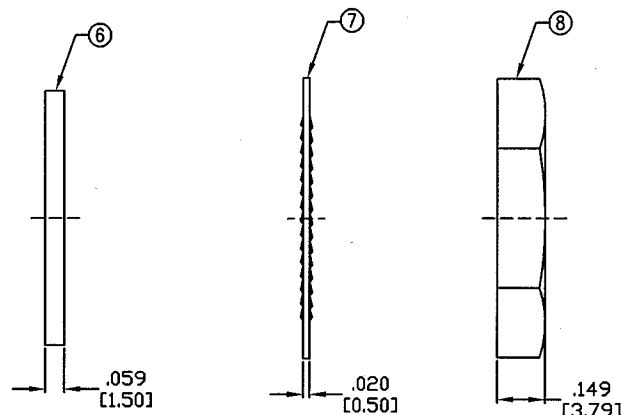
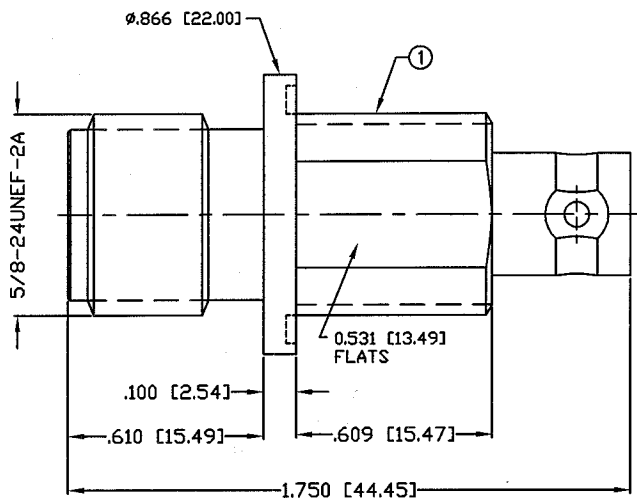
THIS DRAWING CONTAINS INFORMATION PROPRIETARY TO RF INDUSTRIES.
 ANY UNAUTHORIZED USE OF THIS DRAWING IS EXPRESSLY PROHIBITED
 WITHOUT WRITTEN PERMISSION FROM RF INDUSTRIES.
 ANY VIOLATION IS PUNISHABLE UNDER U.S. COPYRIGHT LAWS.

ALL DIMENSIONS ARE REFERENCE ONLY

PART NO.

RFN-1023-5

REV	DESCRIPTION	DWN	DATE	APPROVED
D	CHANGE CONTACT OD AND BODY ID	KMM	1/11/95	R. RICE
E	CHANGE CONTACT OD AND DIELECTRIC ID	KMM	1/12/95	R. RICE
F	CHANGE RECOMMENDED PANEL CUT OUTS	KMM	12/20/99	JDMc
G	CHANGE DIMS, FORMAT, SPECS & DWG. # 8199	GCG	1/7/02	JDMc



RECOMMENDED MOUNTING HOLE

SPECIFICATIONS:

IMPEDANCE: 50 Ohms
 FREQUENCY RANGE: 0-4 GHz
 WORKING VOLTAGE: 335 V rms @ sea level
 TEMPERATURE RANGE: -65°C TO 85°C
 INSULATION RESISTANCE: 5k M Ohms min.

1	BODY	1	BRASS	NICKEL, 80 μ"
2	CONTACT	1	BRASS	GOLD, 3 μ"
3	DIELECTRIC	1	PTFE	----
4	DIELECTRIC	1	PTFE	----
5	PRESS FIT GRND RING	1	BRASS	NICKEL, 80 μ"
6	GASKET	1	RUBBER	----
7	LOCK WHASER	1	BRASS	NICKEL, 80 μ"
8	HEX NUT	1	BRASS	NICKEL, 80 μ"
9	WASHER	1	BRASS	NICKEL, 80 μ"
10				
11				
12				
13				
14				
#	DESCRIPTION	QTY	MATRL	FINISH

000486	
DRAWN	G. GALLEGOS
CHECKED	<i>[Signature]</i>
ORJ DRAWN	K. MAXWELL
APPROVALS	
DATE	01/07/02
	1-7-02
	1/18/95

UNLESS OTHERWISE SPECIFIED:

- REMOVE ALL BURRS
- BREAK ALL CORNERS & EDGES .005 R. MAX.
- CHAMFER 1ST & LAST THREADS 45°
- SURFACE ROUGHNESS 63 FINISH MIL-STD-10
- DIAMETERS ON COMMON CENTERS TO BE CONCENTRIC WITHIN .002 T.I.R.
- ALL DIMENSIONS ARE AFTER PLATING.

DIMENSIONS ARE IN INCHES AND [MILLIMETERS]
 UNLESS OTHERWISE NOTED TOLERANCES ARE:

DECIMALS	DIAMETER
.xxx±.003 [.08]	.xxx±.001 [.03]
.xx±.005 [.13]	.xx±.003 [.08]

RF connectors
 DIVISION OF RF INDUSTRIES, LTD.

7610 MIRAMAR RD
 SAN DIEGO, CA 92126
 (858) 549-6340
 (858) 549-6345 FAX

N JACK TO BNC JACK			
BULKHEAD ADAPTER			
SIZE	CABLE GROUP	DWG NO.	REV
A	N/A	RFN-1023-5	G
SCALE: NTS		CAD FILE OUTLINE	SHEET 1 OF 1