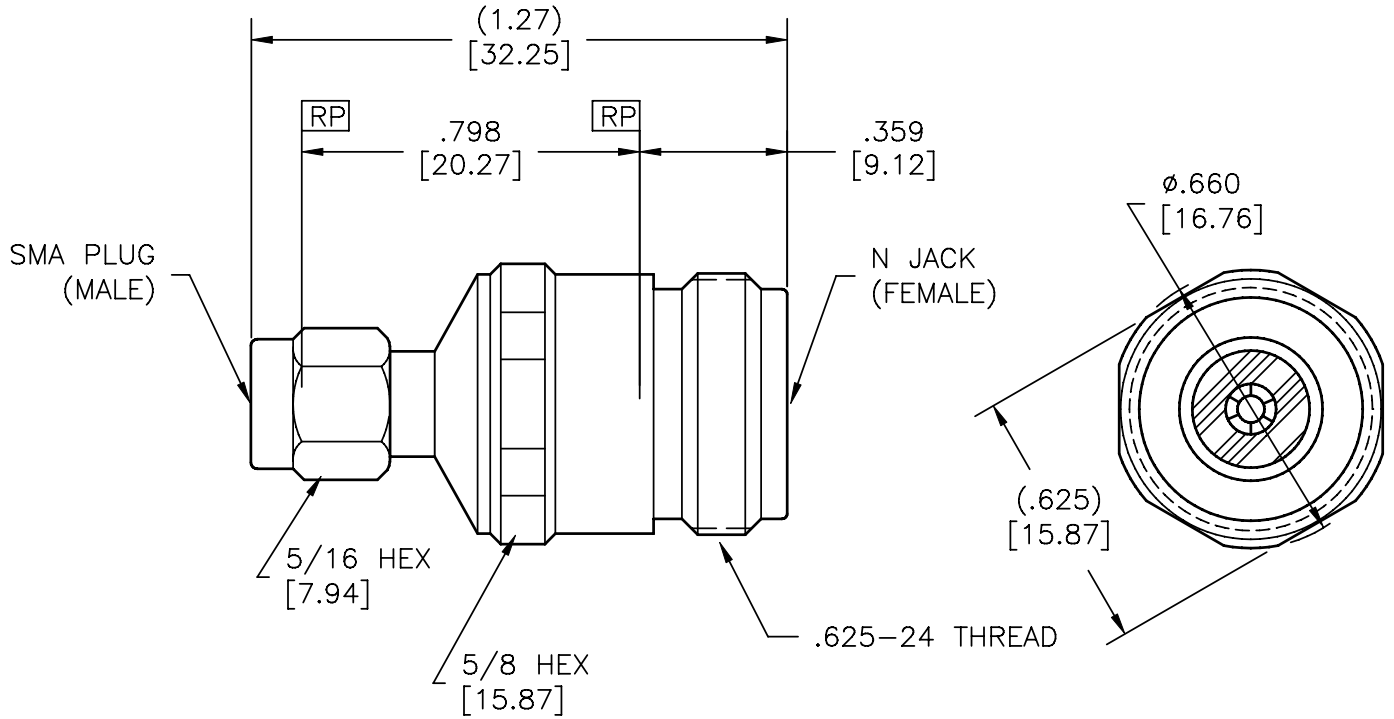


NOTE: Information herein is believed by Southwest Microwave, Inc. to be accurate. However, Southwest Microwave assumes no responsibility for any omissions or errors or inaccuracies for its use or for any infringements of patents or other rights of third parties that may result from its use. Data is intended for informational purpose only and does not constitute a contract of sale or any express or implied warranty, including any warranty of merchant ability or fitness for a particular purpose.



HOUSING: COUPLING NUT:	STEEL, CRES ALLOY UNS-S30300 PER ASTM-A582. PASSIVATE PER ASTM-A967-99
CONTACT:	BeCu UNS-C17300 PER ASTM-B-196/197 GOLD PLATE PER MIL-G-45204
DIELECTRIC INSULATOR:	VIRGIN TFE FLUOROCARBON PER ASTM-D-1710 AND ASTM-D-1457
BEAD RING:	ULTEM 1000 PER ASTM-D-5205
RETAINING RING:	BeCu UNS-C17300 PER ASTM-B-196/197
GASKET:	SILICONE RUBBER PER ZZ-R-765
MATERIAL & FINISH	

2. INTERFACES I.A.W. THE REQUIREMENTS OF MIL-STD-348 FIG.s 304-2 AND 310-2.
1. ALL DIMENSIONS ARE IN INCHES, ALL ANGLES ARE IN DEGREES. METRIC DIMENSIONS ARE SHOWN IN BRACKETS [XX] ARE MILLIMETERS.

CONTACT GAGING SPEC. N SOCKET	91C54030
SPECIFICATIONS	91Y58687
SPECIFICATION GROUP	DRAWING NO.

NOTES: UNLESS OTHERWISE SPECIFIED

REV A	RELEASE	DATE: 2/24/06	APRVD. R.BOAK	DATE: 2/24/06
----------	---------	------------------	------------------	------------------

TITLE
MODEL 2330SF
SMA PLUG TO N JACK ADAPTER



Southwest Microwave, Inc.
9055 South McKemy Street
Tempe, Arizona 85284-2946
Telephone (480) 783-0201
Fax (480) 783-0360

DRN BY: EJO	DATE: 6/05	DWG. NO.	REV. A
SCALE: 2:1		79Y58874	A
SHEET: 1 OF 1			