

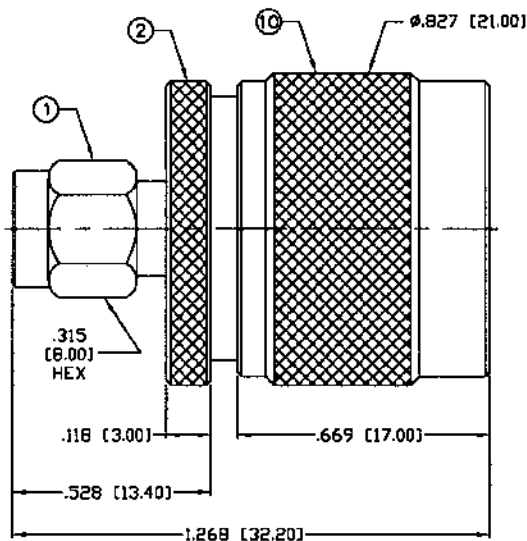
THIS DRAWING CONTAINS INFORMATION PROPRIETARY TO RF INDUSTRIES.  
 ANY UNAUTHORIZED USE OF THIS DRAWING IS EXPRESSLY PROHIBITED  
 WITHOUT WRITTEN PERMISSION FROM RF INDUSTRIES.  
 ANY VIOLATION IS PUNISHABLE UNDER U.S. COPYRIGHT LAWS.

ALL DIMENSIONS ARE REFERENCE ONLY

PART NO.

**RSA-3453**

REV	DESCRIPTION	DWN	DATE	APPROVED
A	ENGINEERING RELEASE	CZS	10/27/98	R. RICE
B	CHANGE FORMAT, SPECS & DWG # 8973	GGG	5/14/02	JDMc



**SPECIFICATIONS:**

IMPEDANCE: 50 Ohms  
 FREQUENCY RANGE: 0-11 GHz  
 WORKING VOLTAGE: 500 V rms Max. @ Sea Level  
 INSULATION RESISTANCE: 5k M Ohms min.  
 TEMPERATURE RANGE: -65°C TO 85°C

1	SHELL	1	BRASS	NICKEL, 100μ"
2	BODY	1	BRASS	NICKEL, 100μ"
3	INSULATOR	1	PTFE	---
4	PIN	1	BRASS	GOLD, 3μ"
5	GROUND RING	1	BRASS	NICKEL, 100μ"
6	RETAINING RING	1	Be-Cu	---
7	GASKET	1	SILICONE	---
8	RETAINING RING	1	SS	---
9	GASKET	1	SILICONE	---
10	SHELL	1	BRASS	NICKEL, 100μ"

008974	
DRAWN G. GALLEGOS	5/14/02
CHECKED <i>[Signature]</i>	5/14/02
ORJ DRAWN C. ZUNIGA	10/27/98

UNLESS OTHERWISE SPECIFIED:  
 1. REMOVE ALL BURRS  
 2. BREAK ALL CORNERS & EDGES .005 R. MAX.  
 3. CHAMFER 1ST & LAST THREADS 45°  
 4. SURFACE ROUGHNESS 83 FINISH MIL-STD-10  
 5. DIAMETERS ON COMMON CENTERS TO BE CONCENTRIC WITHIN .002 T.I.R.  
 6. ALL DIMENSIONS ARE AFTER PLATING.

DIMENSIONS ARE IN INCHES AND (MILLIMETERS)  
 UNLESS OTHERWISE NOTED TOLERANCES ARE:  
 DECIMALS                      DIAMETER  
 .XXX±.003 [.08]              .XXX±.001 [.03]  
 .XX±.005 [.13]                .XX±.003 [.08]

**RFconnectors**  
 DIVISION OF RF INDUSTRIES, LTD.

7610 MIRAMAR RD  
 SAN DIEGO, CA 92126  
 (858) 549-6340  
 (858) 549-6345 FAX

**SMA PLUG TO N PLUG**

ADAPTER

SIZE A	CABLE GROUP N/A	DWG NO. RSA-3453	REV B
SCALE: NTS		CAD FILE OUTLINE	SHEET 1 OF 1