

ENVELOPE / ASSEMBLY DRAWING

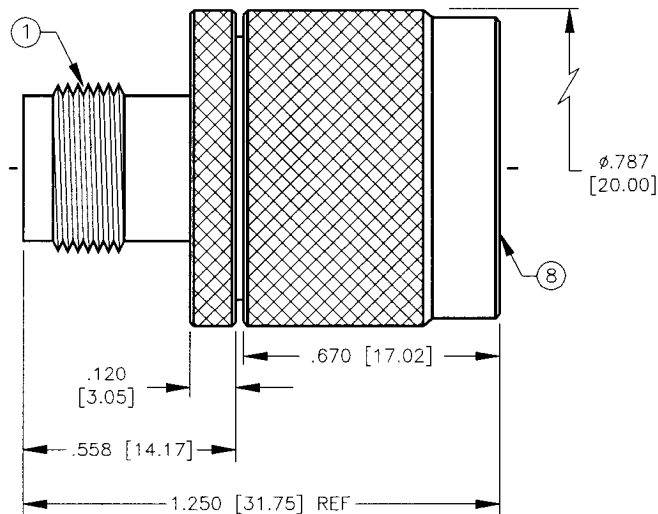
00000

SPECIFICATION CONTROL DRAWING

THIS DRAWING CONTAINS INFORMATION PROPRIETARY TO RF INDUSTRIES, LTD. ANY UNAUTHORIZED USE OF THIS DRAWING IS EXPRESSLY PROHIBITED. ANY VIOLATION IS PUNISHABLE UNDER U.S. COPYRIGHT LAWS.

REV	DESCRIPTION	DWN	DATE	APPROVED
A1	CHG KNURL AND DIMENSIONS / RPLC DWG #7538	DM	12/17/92	J. BENZ
B	ADD CALL OUTS FOR INTERNAL ITEMS	KMM	8/9/94	R. RICE
C	ADD PIN OD DIM / UPDATE SPECIFICATIONS	KMM	12/1/95	R. RICE
D	STANDARDIZE SHELL & BODY / REMOVE P/N	CZS	8/17/99	R. RICE

ALL DIMENSIONS ARE REFERENCE ONLY



SPECIFICATIONS:

IMPEDANCE: 50 OHMS
 WORKING VOLTAGE: 500 VRMS @ SEA LEVEL
 FREQUENCY RANGE: 0-7 GHz
 INTERFACE PER MIL-STD-348, SECTION 304.1 & 313.2

DIMENSIONS ARE IN INCHES AND [MILLIMETERS]

UNLESS OTHERWISE NOTED TOLERANCES ARE:
 DECIMALS DIAMETER

RFconnectors
 DIVISION OF RF INDUSTRIES, LTD.

7610 MIRAMAR RD
 SAN DIEGO, CA 92126
 (858) 549-6340
 (858) 549-6345 FAX

RFT-1233

TNC FEMALE TO N MALE

ITEM	DESCRIPTION	QTY	MATERIAL	FINISH
8	SHELL	1	BRASS	NICKEL
7	RETAINING RING	1	BRASS	NONE
6	GASKET	1	S.I. RUBBER	RED
5	GROUND RING	1	BRASS	NICKEL
4	DIELECTRIC	1	TEFLON	NONE
3	DIELECTRIC	1	TEFLON	NONE
2	CONTACT	1	BRASS	GOLD
1	BODY	1	BRASS	NICKEL

DRAWN C. ZUNIGA	8/17/99
CHECKED <i>P. Breaux</i>	8/18/99
ORJ DRAWN P. BREAUX	8/4/92
APPROVALS	DATE

SIZE A	CABLE GROUP N/A	DWG NO. 7832	REV D
SCALE: 2:1	CAD FILE 13ARC B	SHEET 1 OF 1	