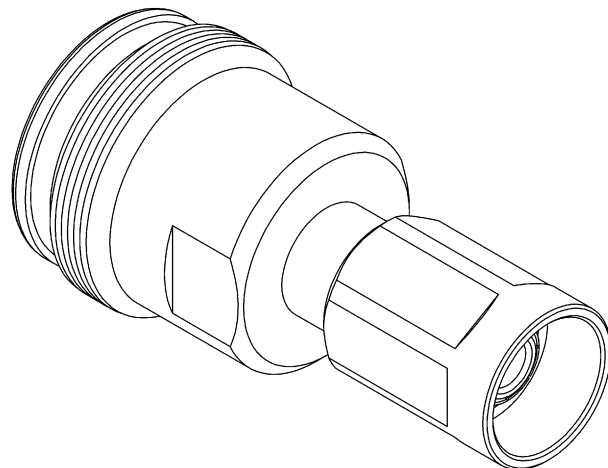
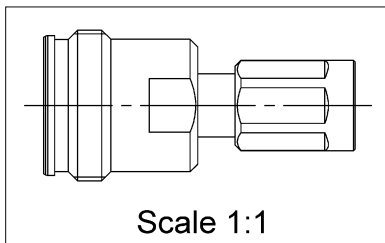
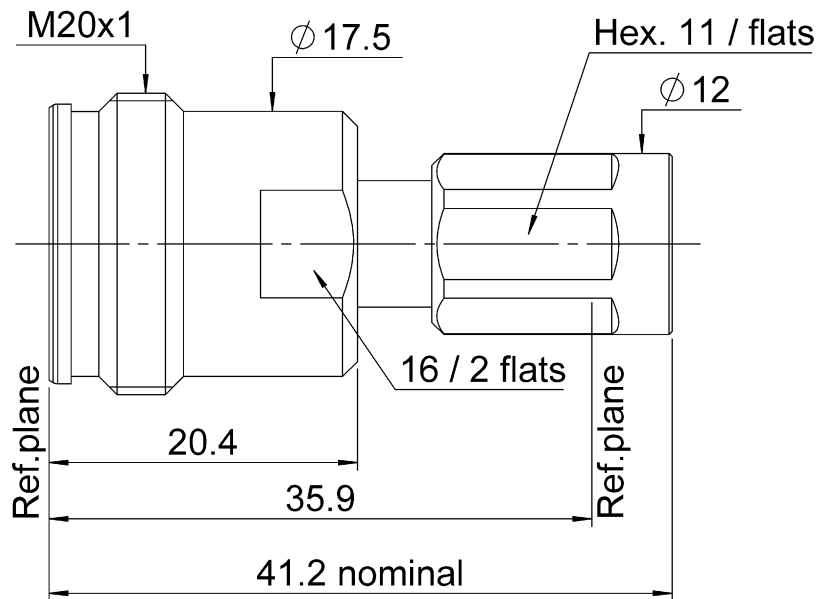
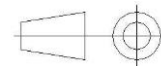


PAGE 1/2	ISSUE 03-05-18A	SERIES ADAPTER	PART NUMBER R191620047
----------	-----------------	----------------	------------------------



All dimensions are in mm. Tolerances according ISO 2768 m-H



COMPONENTS	MATERIALS	PLATING (µm)
Body	<b>BRASS.</b>	<b>BBR</b>
Center contact	<b>BERYLLIUM COPPER</b>	<b>SILVER</b>
Outer contact	<b>BRONZE, BERYLLIUM COPPER</b>	<b>SILVER</b>
Insulator	<b>PTFE</b>	
Gasket	<b>SILICONE RUBBER</b>	
Others parts	<b>BRASS, BERYLLIUM COPPER</b>	<b>BBR</b>
-	-	-
-	-	-

PAGE <b>2/2</b>	ISSUE <b>03-05-18A</b>	SERIES <b>ADAPTER</b>	PART NUMBER <b>R191620047</b>
-----------------	------------------------	--------------------------	-------------------------------

PACKAGING

Standard	Unit	Other
<b>1</b>	<b>Contact us</b>	<b>Contact us</b>

ELECTRICAL CHARACTERISTICS

Impedance		<b>50</b>		Ω
Frequency		<b>0-6</b>		GHz
VSWR	<b>1.02</b> +		<b>0.0150</b>	x F(GHz) Maxi
Insertion loss			<b>0.05</b>	√F(GHz) dB Maxi
RF leakage	- (		<b>NA</b>	- F(GHz)) dB Maxi
Voltage rating			<b>500</b>	Veff Maxi
Dielectric withstanding voltage			<b>1500</b>	Veff mini
Insulation resistance			<b>5000</b>	MΩ mini

MECHANICAL CHARACTERISTICS

Center contact retention				
Axial force – Mating End		<b>27</b>		N mini
Axial force – Opposite end		<b>27</b>		N mini
Torque		<b>NA</b>		N.cm mini
Recommended torque				
Mating	<b>NEX10</b>	<b>150</b>		N.cm
	<b>4.3-10</b>	<b>0</b>		N.cm
		<b>0</b>		N.cm
Panel nut		<b>NA</b>		N.cm
Mating life		<b>100</b>		Cycles mini
Weight		<b>35.7600</b>		g

ENVIRONMENTAL

Operating	<b>-55/+90</b>		°C
Hermetic seal	<b>NA</b>		Atm.cm3/s
Panel leakage	<b>NA</b>		

SPECIFICATION

-

OTHER CHARACTERISTICS

**PIM3<=-123dBm, 2 carriers of +43dBm @1800MHz**