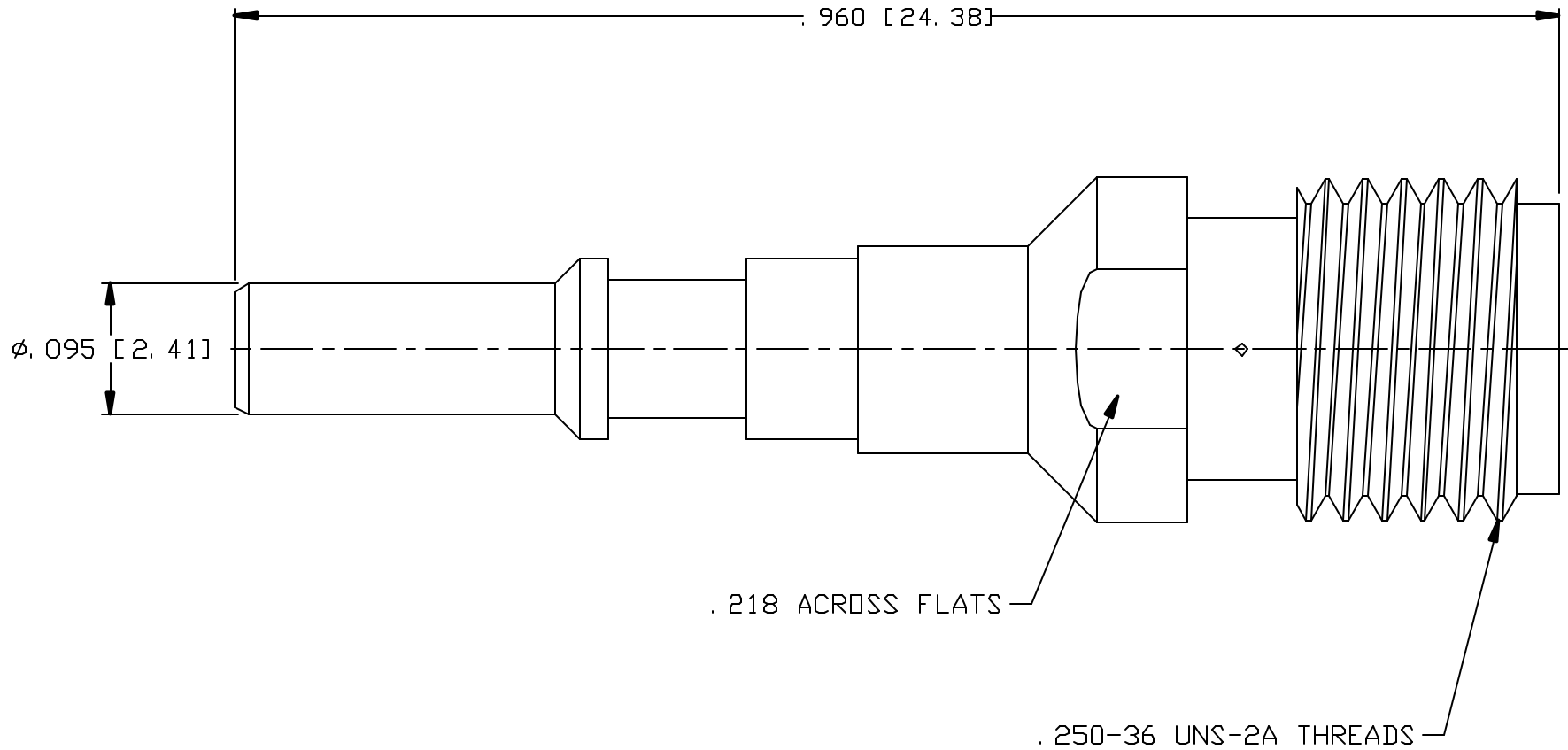


CAD DRAWING - NO MANUAL REVISIONS



NOTE:

1. DESIGN AND INTERFACE PER I. D. S. s -56 & 20.

G	PER ECN 9896	04/28/09	JEM	<b>PALCO CONNECTOR</b> 22 GREAT HILL RD., NAUGATUCK, CT 06770 UNLESS OTHERWISE SPECIFIED, PALCO WORKMANSHIP STANDARDS APPLY TOLERANCES ON: DECIMALS: XX ± .01 .XXX ± .005 ANGLES ±1/2° 32' DIMENSIONS IN INCHES OR (METRIC) DO NOT SCALE PRINTS	DRAWN JEM	CHECKED HN	ENGINEER JEM	APPROVED HN	FSCM 58167	
F	PER ECN 9767	01/30/09	JEM			DESCRIPTION SIZE 12 PkZ PLUG TO SMA JACK ADAPTOR				
E	PER ECN 9724	12/22/08	JEM			DATE 02/23/99	DRAWING NO. 5620-0100-00	PLATING OPT. G		
D	PER ECN 8333	03/01/06	HN							
C	PER ECN 8252	10/24/05	HN							
REV.	DESCRIPTION	DATE	APPR.	EPR 10757)						

THE INFORMATION IN THIS DOCUMENT IS CONFIDENTIAL AND PROPRIETARY AND MAY NOT BE USED FOR ANY PURPOSE WITHOUT THE WRITTEN CONSENT OF PALCO.