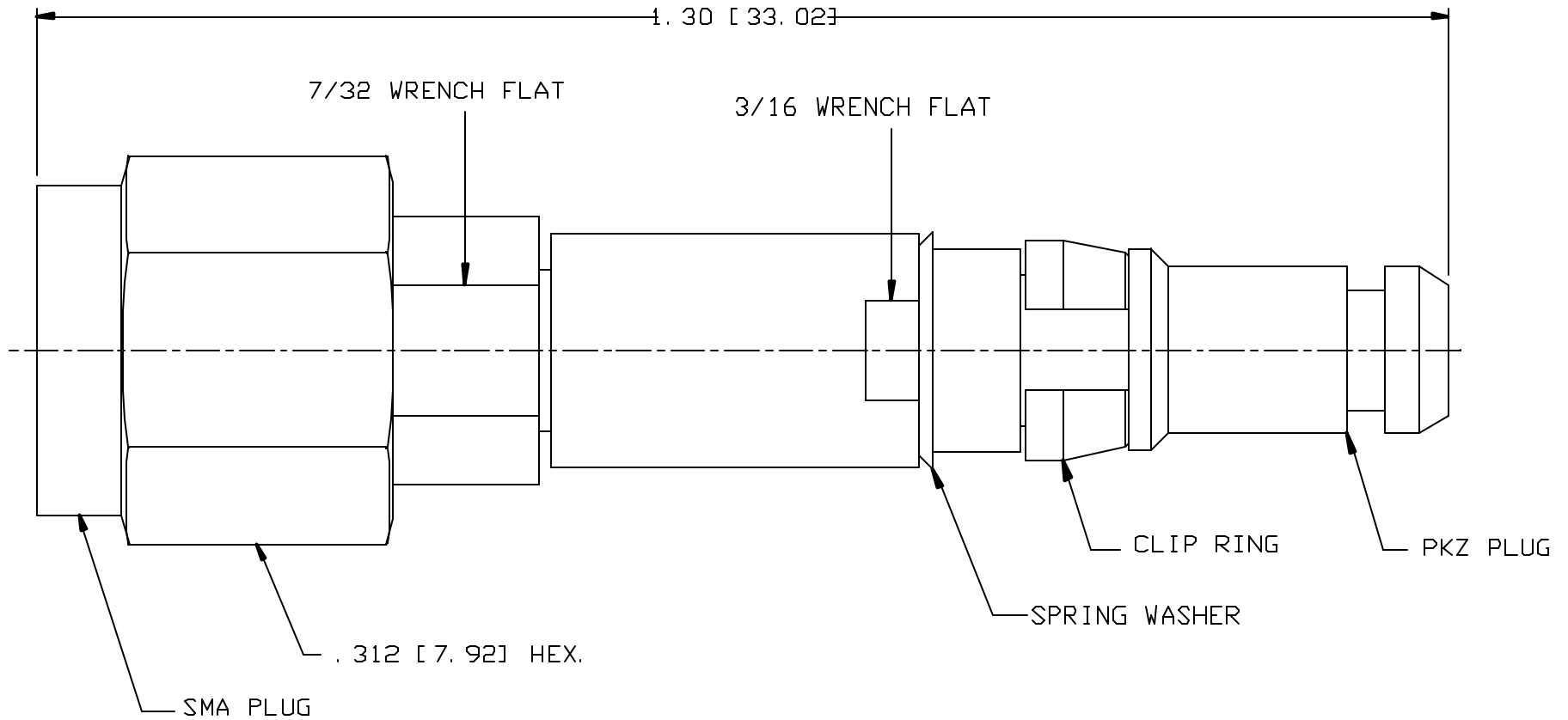


CAD DRAWING - NO MANUAL REVISIONS



NOTES:

1. DESIGN AND INTERFACE PER I. D. S. s 26 & 20.
2. FOR USE TO 2 GHz MAX.

				<p>PALCO CONNECTOR</p> <p>22 GREAT HILL RD., NAUGATUCK, CT 06770</p> <p>UNLESS OTHERWISE SPECIFIED, PALCO WORKMANSHIP STANDARDS APPLY</p> <p>TOLERANCES ON: DECIMALS: XX ±.01 .XXX ±.005 ANGLES ±1/32</p> <p>DIMENSIONS IN INCHES OR (METRIC) DO NOT SCALE PRINTS</p>	DRAWN MY	CHECKED HN	ENGINEER EW	APPROVED HN	FSCM 58167
G	PER ECN 11173	11/03/11	JEM			DESCRIPTION SMA PLUG TO PKZ ADAPTOR			
F	PER ECN4363	02/05/98	HN			DATE 12/13/91	DRAWING NO. 2620-0000-00	PLATING OPT. G	
E	PER ECN 2231	09/03/93	HN						
REV.	DESCRIPTION	DATE	APPR.		MAT. :	CATALOG ITEM			