

NOTES:

28-925-0000-90

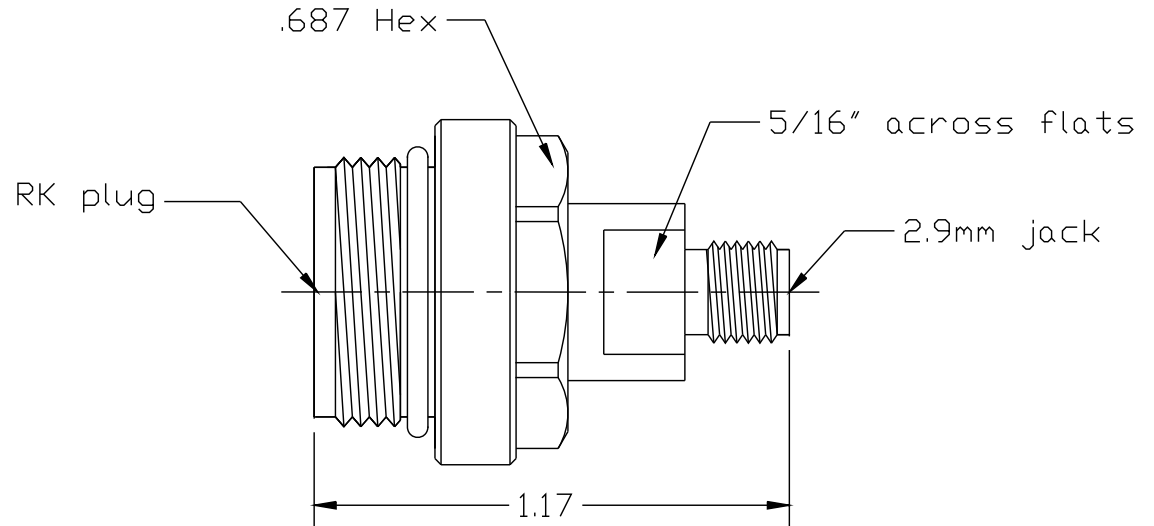
Materials: SST. corrosion-resistant, Non Magnetic 303, per ASTM A484 and A582. Beryllium Copper per ASTM-B-196, QQ-C-530 OXIDE-NORYL (TM)

Finish: Center Conductors and solder components shall be plated per MIL-G-45204 Type II, Class 1 over Nickel plate per QQ-N-290. Body and Body components shall be passivated per ASTM A380.

Frequency: DC-30GHz

VSWR: 1.25 TO 30GHz

Insertion Loss: $.05\sqrt{\text{Frequency}}$



LTR	DESCRIPTION	DATE	APPR.	DRAWN MH	CHECKED	USED ON	SRI CONNECTOR GAGE CO. 3950 DOW ROAD MELBOURNE FL. 32934			
-	REL	01-08		APPR.	SCALE	28-925-0000-90	TITLE			
				UNLESS OTHERWISE SPECIFIED: 1. REMOVE ALL BURRS 2. BREAK ALL CORNERS & EDGES .005 R. MAX 3. CHAMFER 1st & LAST THREADS 45° 4. SURFACE FINISHED 32/ UNLESS OTHERWISE SPECIFIED. 5. DIAMETERS ON COMMON CENTERS TO BE CONCENTRIC WITHIN .002 T.I.R. 6. ALL DIMENSIONS ARE AFTER PLATING.			MATERIAL	RK PLUG TO 2.9mm JACK		
				DIMENSIONS ARE IN INCHES TOLERANCES			FINISH			
				DECIMALS	FRACTIONAL	ANGULAR	SIZE	FSCM NO.	SHEET	DWG. NO.
				.X ±.030		.X° ±1°0'	A	OHMO1	1	28-925-0000-90
				.XX ±.010	± 1/64	.X°X' ±15'				
				.XXX +.005						