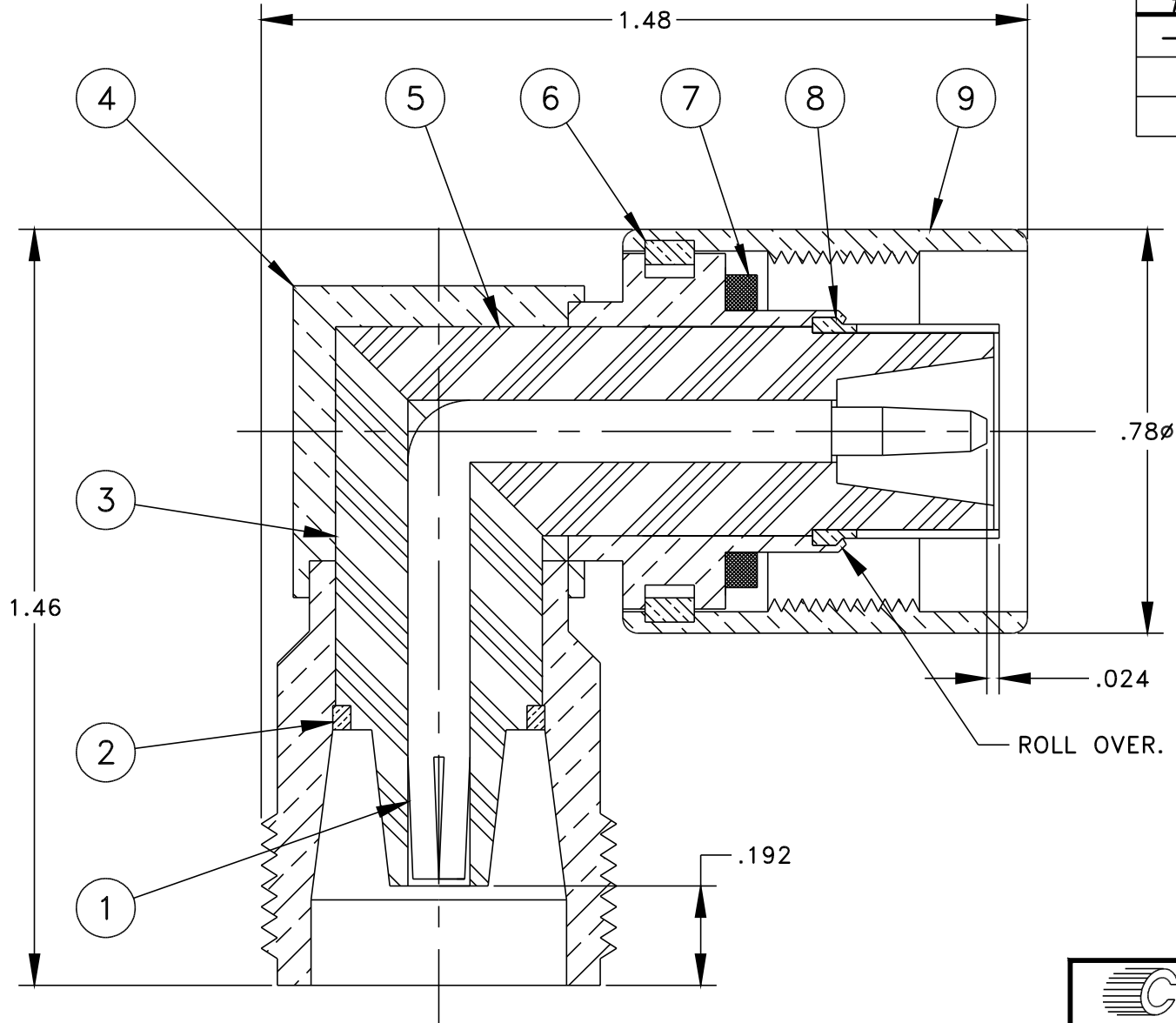


DASH #	BODY FINISH	CONTACT FINISH		
-1	NICKEL	GOLD		



THIS DOCUMENT CONTAINS PROPRIETARY INFORMATION & MAY NOT BE REPRODUCED OR DISCLOSED TO OTHERS WITHOUT WRITTEN CONSENT FROM CONNECTRONICS, INC.

**CONNECTRONICS, INC.**  
EDINBURGH, INDIANA

FSCM 43608

**TOLERANCES**  
UNLESS OTHERWISE SPECIFIED

DWG BY: MARK J.    DATE: 1/22/03  
APVD BY:            SCALE: \_\_\_\_\_  
MATERIAL: \_\_\_\_\_  
FINISH: \_\_\_\_\_

2 PL DEC ±.020  
3 PL DEC ±.005  
ANG. DIM ±1/2°

DESCRIPTION: SC  
ADAPTOR, RIGHT ANGLE,  
PLUG TO JACK

DRAWING NO.  
58-610  
SHT 1 OF 1

REVISIONS