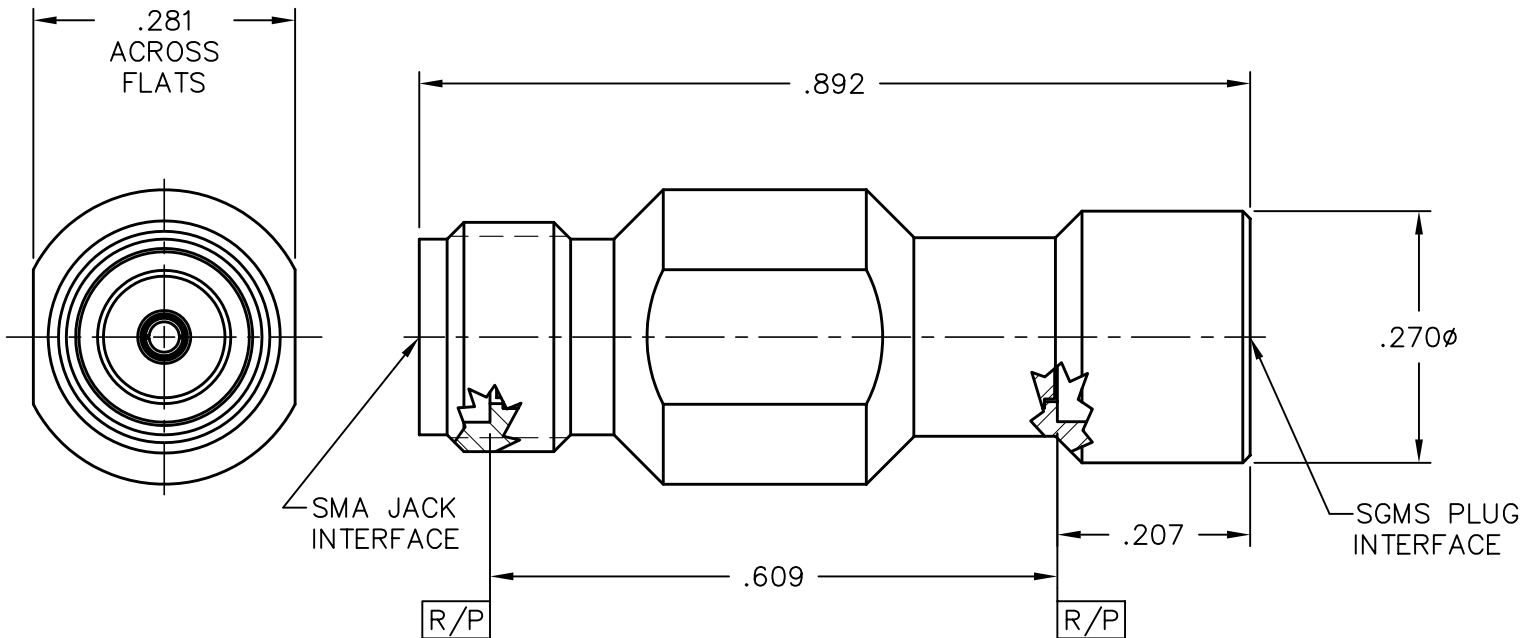
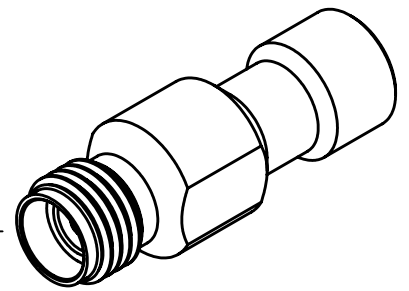


CATALOG NUMBER

1F1P5-0503-01

MATERIAL AND FINISH

HOUSINGS: CRES 303; PASSIVATED  
 CENTER CONTACT: BeCu; GOLD PLATE 75 MICRONS TYPICAL  
 OVER NICKEL PLATE 100 MICRONS TYPICAL  
 DIELECTRICS: VIRGIN PTFE



This drawing and any data contained herein is the property of Corning Gilbert Inc., and constitutes and contains proprietary and confidential information. Neither receipt nor possession of this drawing confers or transfers any right to duplicate, use or disclose any information contained herein except as expressly authorized by Corning Gilbert Inc.

SMA JACK  
 TO SGMS PLUG  
 ADAPTER

IDENT CODE:

82316

REVISION: A

Corning Gilbert Inc.

SOURCE FILE: SK-2923

DWG. NO.: OL-1F1P5-0503-01

ASSY. PROC.: -