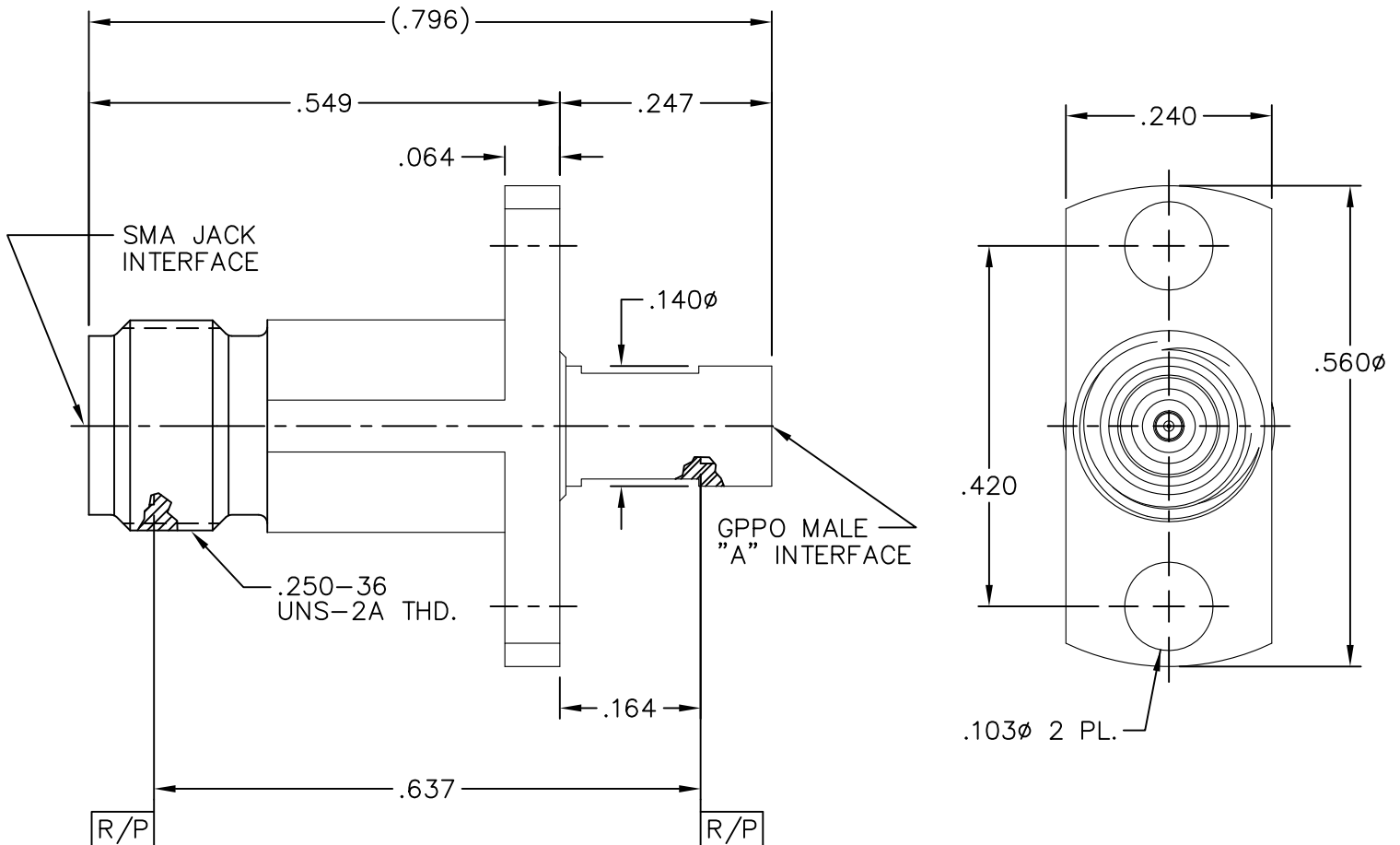
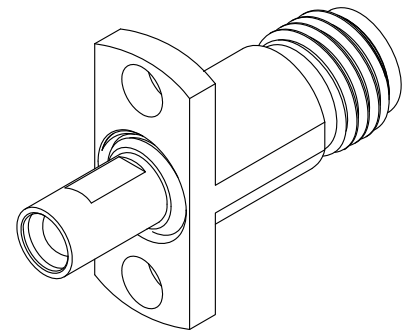


CATALOG NUMBER	"A" INTERFACE
1B3F1-0513-01	FULL DETENT
1B5F1-0513-01	SMOOTH BORE

MATERIAL AND FINISH

HOUSING: CRES 303; PASSIVATED
 CENTER CONTACT: BeCu; GOLD PLATE 75 MICRINCHES TYPICAL
 OVER NICKEL PLATE 100 MICRINCHES TYPICAL
 DIELECTRICS: VIRGIN PTFE



This drawing and any data contained herein is the property of Corning Gilbert Inc., and constitutes and contains proprietary and confidential information. Neither receipt nor possession of this drawing confers or transfers any right to duplicate, use or disclose any information contained herein except as expressly authorized by Corning Gilbert Inc.

SMA JACK TO GPPO MALE
 2 HOLE FLANGE MOUNT
 (TABULATED DETENT)

IDENT CODE:
 82316

REVISION: A

Corning Gilbert Inc.

SOURCE FILE: SK-3856

DWG. NO.: OL-1BXF1-0513-01

ASSY. PROC.: -