

THIS DOCUMENT CONTAINS PROPRIETARY INFORMATION & MAY NOT BE REPRODUCED OR DISCLOSED TO OTHERS WITHOUT WRITTEN CONSENT FROM CONNECTRONICS, INC.

NOTES:

A.) MATERIAL;

- 1.) BODY / 303 STAINLESS STEEL PER QQ-S-764.
- 2.) CONTACT / BERYLLIUM COPPER PER QQ-C-530.
- 3.) INSULATOR / PTFE PER ASTM-D1710.

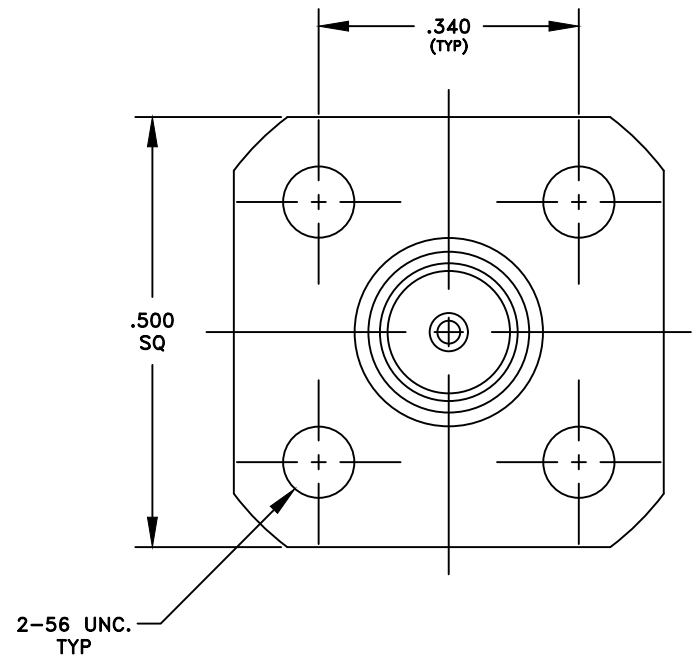
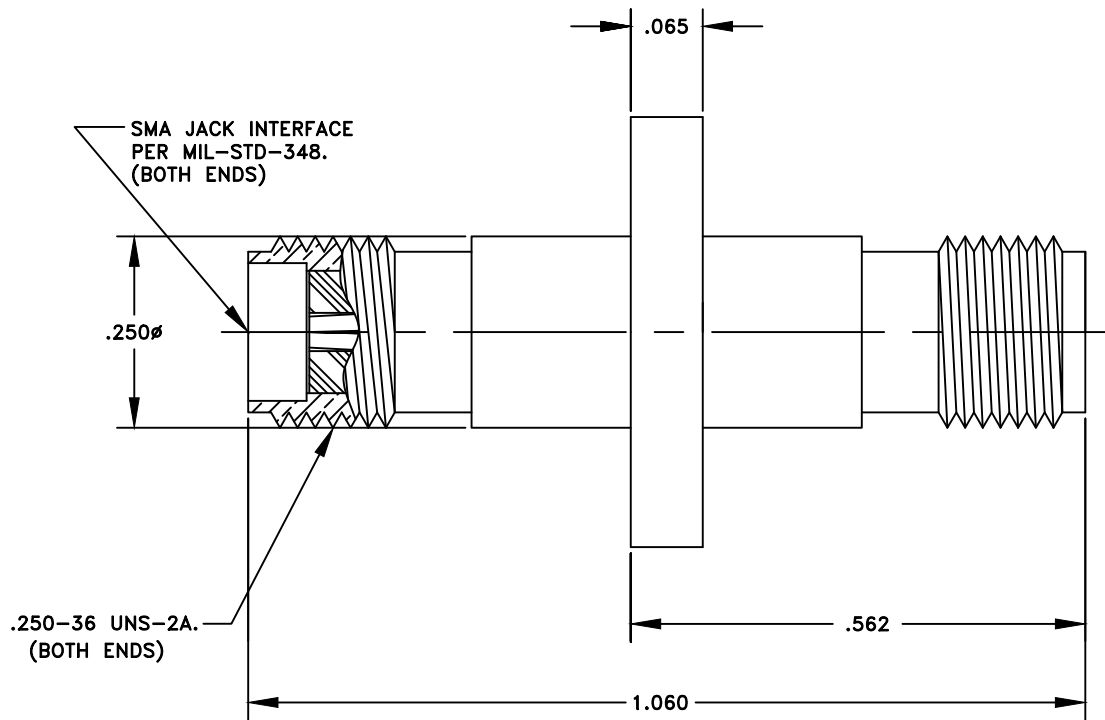
B.) FINISH;

- 1.) BODY / PASSIVATED PER QQ-P-35.
- 2.) CONTACT / .00005 MIN. GOLD OVER .00005 NICKEL PER MIL-G-45204.

C.) TEMPERATURE RANGE / -65° TO +165°C

D.) ELECTRICAL SPECS;

- 1.) IMPEDANCE / 50 OHMS.
- 2.) VOLTAGE RATING / 335 VRMS.
- 3.) DIELECTRIC WITHSTANDING VOLTAGE / 1000 VRMS.
- 4.) INSULATION RESISTANCE / 5,000 MEGOHMS MIN.
- 5.) FREQUENCY RANGE / DC TO 18 GHz.
- 6.) V.S.W.R. / 1.15:1 MAX.



REVISIONS	-B-	7/10/15
	ECN6157	
	.065 WAS .094.	
	DZ	

- OUTLINE DRAWING -

 EDINBURGH, INDIANA		FSCM 43608
DWG BY: DZ      DATE: 7/15/13		TOLERANCES UNLESS OTHERWISE SPECIFIED 2 PL DEC ±.020 3 PL DEC ±.005 ANG. DIM ±1/2°
APVD BY:      SCALE: -		
MATERIAL: _____		DRAWING NO. 42-680-1 SHT 1 OF 1
FINISH: _____		
DESCRIPTION: SMA ADAPTOR, JACK TO JACK, 4 HOLE FLANGE MOUNT		