

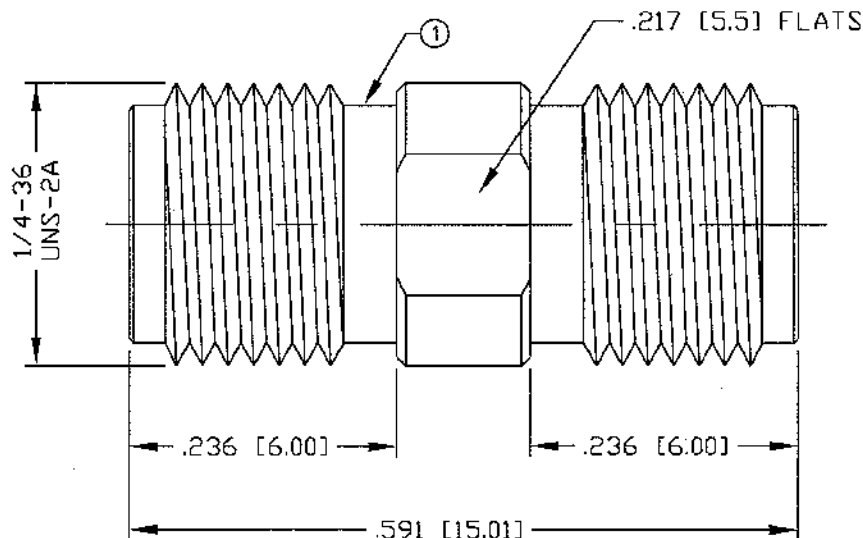
THIS DRAWING CONTAINS INFORMATION PROPRIETARY TO RF INDUSTRIES,
 ANY UNAUTHORIZED USE OF THIS DRAWING IS EXPRESSLY PROHIBITED
 WITHOUT WRITTEN PERMISSION FROM RF INDUSTRIES.
 ANY VIOLATION IS PUNISHABLE UNDER U.S. COPYRIGHT LAWS.

ALL DIMENSIONS ARE REFERENCE ONLY

PART NO.

RSA-3404

REV	DESCRIPTION	DWN	DATE	APPROVED
A	ENGINEERING RELEASE	WMD	10/1/93	C. JONES
B	CHANGE PART NUMBER - WAS RSA-2386	WMD	1/4/94	C. JONES
C	CHANGE WRENCH FLAT DIMENSION	KMM	9/12/96	R. RICE
D	CHANGE DRAWING NUMBER - WAS 8224C / UPDATE FORMAT	GZS	5/13/99	JDMc



SPECIFICATIONS:

IMPEDANCE: 50 OHMS
 FREQUENCY RANGE: 0-12.4 GHz
 VSWR: 1.12 @ 12.4 GHz
 INSULATION RESISTANCE: 5000 Megohms Minimum
 TEMPERATURE RANGE: -65°C TO +165°C

1	BODY	1	BRASS	NICKEL, 100μ"	008974
2	INSULATOR	1	PTFE	---	
3	CONTACT	1	Be.Cu.	GOLD, 50μ"	
4					
5					
6					
7					
8					
9					
10					
11					
12					
13					
14					
#	DESCRIPTION	QTY	MATERIAL	FINISH	APPROVALS

DRAWN	C. ZUNIGA	5/25/01
CHECKED	<i>[Signature]</i>	7-6-01
ORJ DRAWN	W. DANIELS	9/16/93

UNLESS OTHERWISE SPECIFIED:
 1. REMOVE ALL BURRS
 2. BREAK ALL CORNERS & EDGES .005 R. MAX.
 3. CHAMFER 1ST & LAST THREADS 45°
 4. SURFACE ROUGHNESS 63 FINISH MIL-STD-10
 5. DIAMETERS ON COMMON CENTERS TO BE CONCENTRIC WITHIN .002 T.I.R.
 6. ALL DIMENSIONS ARE AFTER PLATING.

DIMENSIONS ARE IN INCHES AND [MILLIMETERS]
 UNLESS OTHERWISE NOTED TOLERANCES ARE:

DECIMALS	DIAMETER
.xxx±.003 [.08]	.xxx±.001 [.03]
.xx±.005 [.13]	.xx±.003 [.08]

7610 MIRAMAR RD
 SAN DIEGO, CA 92126
 (858) 549-6340
 (858) 549-6345 FAX

RF connectors
 DIVISION OF RF INDUSTRIES, LTD.

SMA JACK TO JACK

ADAPTER

SIZE	CABLE GROUP	DWG NO.	REV
A	N/A	RSA-3404	D

SCALE: NTS CAD FILE OUTLINE SHEET 1 OF 1