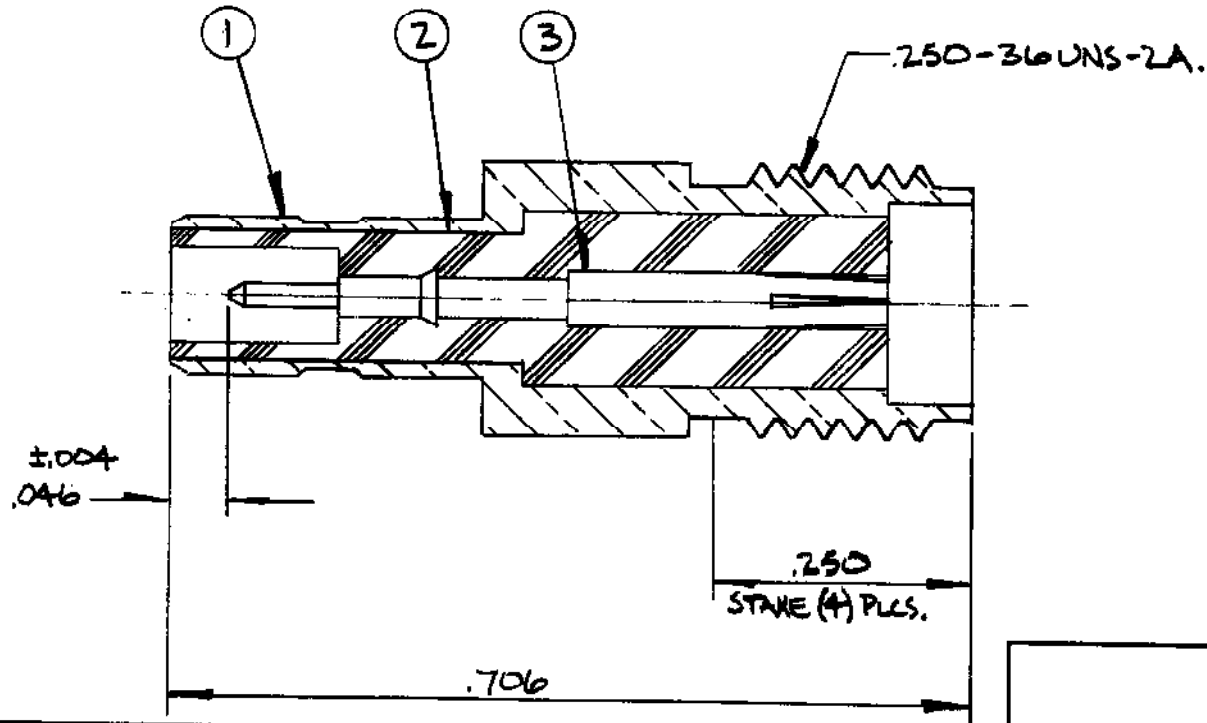


DASH #	BODY FINISH	CONTACT FINISH			
-1	NICKEL	GOLD			



CONNECTRONICS, INC.
 HURRICANE ROAD
 FRANKLIN, INDIANA 46131

DWG BY: JOHN B	DATE: 5-31-94	TOLERANCES UNLESS OTHERWISE SPECIFIED
APP'D BY: <i>[Signature]</i>	SCALE: —	2 PL DEC $\pm .080$
MATERIAL: —		3 PL DEC $\pm .005$
FINISH: —		ANG. DIM $\pm 1/2^\circ$
DESCRIPTION: BETWEEN SERIES ADAPTER, SMA JACK TO SMB JACK		DRAWING NO. 70-235 SH'T 1 OF 1

REVISIONS