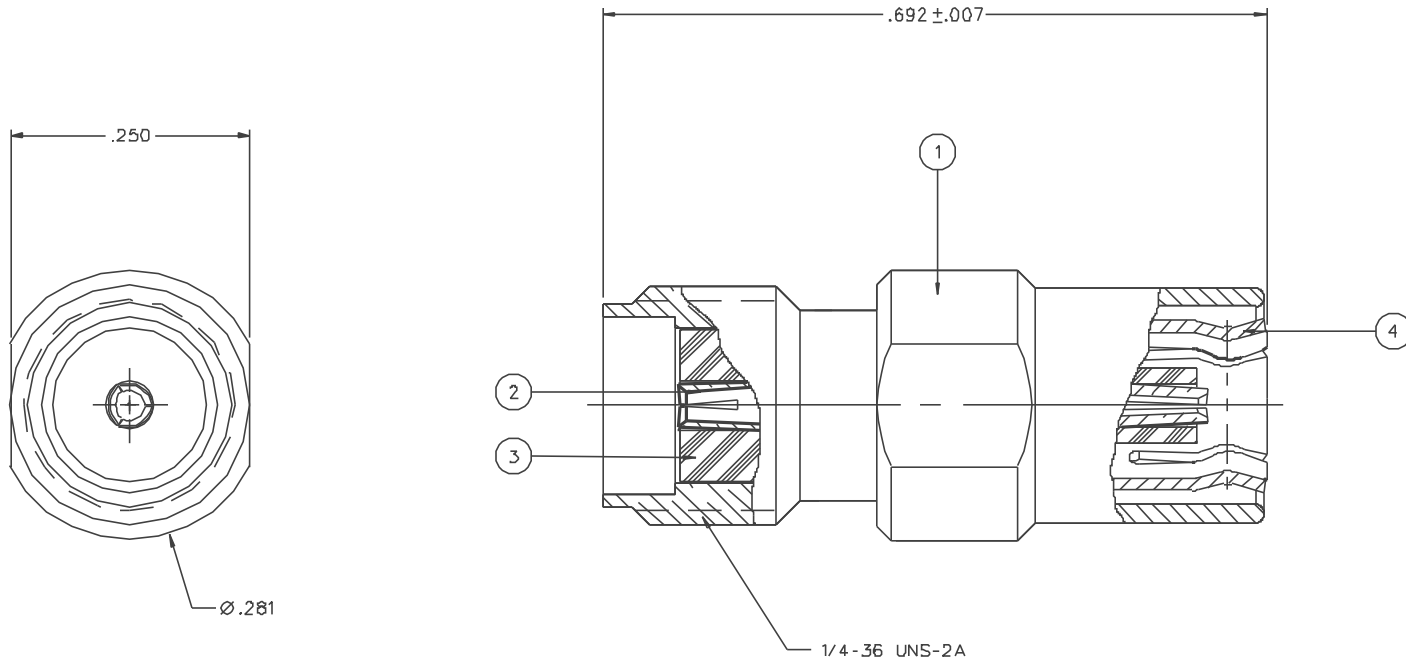


PART NUMBER	ITEM ① BODY	ITEM ② CONTACT	ITEM ③ INSULATOR	ITEM ④ INTERFACE
134-1012-041	BRASS GOLD PL .00001 MIN OVER NICKEL PL .00005 MIN OVER COPPER PL .00005 MIN	BERYLLIUM COPPER GOLD PL .00005 MIN OVER NICKEL PL .00005 MIN OVER COPPER PL .00005 MIN	TEFLON	BERYLLIUM COPPER GOLD PL .00003 MIN OVER NICKEL PL .00005 MIN OVER COPPER PL .00005 MIN

DRAWING NO. C - 134-1012-041/050	
0	REVISIONS
ENGINEERING RELEASE	
1	9-9-98 R H K I T R B 10-15-98 ECN 45784
CHANGED: MECHANICAL SPECS 14 LBS WAS 4 LBS, 2 LBS WAS 0.5 LBS ADDED: SMA AND SMB DEFINITIONS TO SPECS DELETED: CONTACT RESISTANCE WITH NICKEL PLATING	
* REVISION NUMBER FOLLOWED BY AN ALPHA * * CHARACTER INDICATES DRAWING CLASS * * CATION OR PART NUMBER ADDITION ONLY *	
1a	5-3-99 R H K I T R B ECN 4629B



NOTES:

1. SPECIFICATIONS:

IMPEDANCE: 50 OHMS  
 FREQUENCY RANGE: 0-4 GHz  
 VSWR: 1.05 + .01F (F IN GHz)  
 WORKING VOLTAGE: 335 VRMS MAX AT SEA LEVEL  
 DIELECTRIC WITHSTANDING VOLTAGE: 1000 VRMS MIN AT SEA LEVEL  
 INSULATION RESISTANCE: 1000 MEGOHM MIN

CONTACT RESISTANCE:  
 CENTER CONTACT - INITIAL 6 MILLIOHM MAX, AFTER ENVIRONMENTAL 8 MILLIOHM MAX  
 OUTER CONDUCTOR - INITIAL 1 MILLIOHM MAX, AFTER ENVIRONMENTAL 1.5 MILLIOHM MAX  
 BRAID TO BODY - NOT APPLICABLE

CORONA LEVEL: NOT APPLICABLE  
 INSERTION LOSS: .30 dB MAX AT 1.5 GHz  
 RF LEAKAGE: NOT APPLICABLE  
 RF HIGH POTENTIAL WITHSTANDING VOLTAGE: 600 VRMS MIN AT 4 AND 7 MHZ

MECHANICAL:

ENGAGE/DISENGAGE FORCE (SMB): INITIAL 14 LBS MAX, AFTER DURABILITY 14 LBS  
 MAX ENGAGEMENT, 2 LBS MIN DISENGAGEMENT  
 MATING TORQUE (SMA): 7-10 INCH POUNDS  
 COUPLING PROOF TORQUE (SMA): 15 IN-LB MIN  
 COUPLING NUT RETENTION: NOT APPLICABLE  
 CONTACT RETENTION: 6 LBS MIN AXIAL FORCE  
 CABLE ACCEPTABILITY: NOT APPLICABLE  
 CABLE HEX CRIMP SIZE: NOT APPLICABLE  
 CABLE RETENTION: NOT APPLICABLE  
 DURABILITY: 500 CYCLES MIN

ENVIRONMENTAL:

(MEETS OR EXCEEDS THE APPLICABLE PARAGRAPH OF MIL-C-39012)  
 THERMAL SHOCK: MIL-STD-202, METHOD 107, CONDITION B  
 OPERATING TEMPERATURE: -65 DEG C TO 165 DEG C  
 CORROSION: MIL-STD-202, METHOD 101, CONDITION B  
 SHOCK: MIL-STD-202, METHOD 213, CONDITION B  
 VIBRATION: MIL-STD-202, METHOD 204, CONDITION B

CUSTOMER DRAWING

THIS DRAWING TO BE INTERPRETED PER ANS Y 14.5M - 1982

"μSTATION"

COMPANY CONFIDENTIAL

TOLERANCE UNLESS OTHERWISE SPECIFIED	DRAWN BY KAS	DATE 2-18-98	299 Johnson Ave. P.O. Box 1732 Waseca, MN 56093-0832	
DECIMALS .XX	CHECKED BY KAS	DATE 9-11-98	TITLE ASSEMBLY, ADAPTER SMA JACK TO SMB PLUG	
MM .XXX+- .003	APPROVED BY TAK	DATE 9-16-98	CODE NO.	DRAWING NO. C - 134-1012-041/050
MATL	APPROVED BY RJB	DATE 9-24-98	SCALE	SHEET 2 OF 2
FINISH	RELEASE DATE	10-15-98	U/M	INCH