

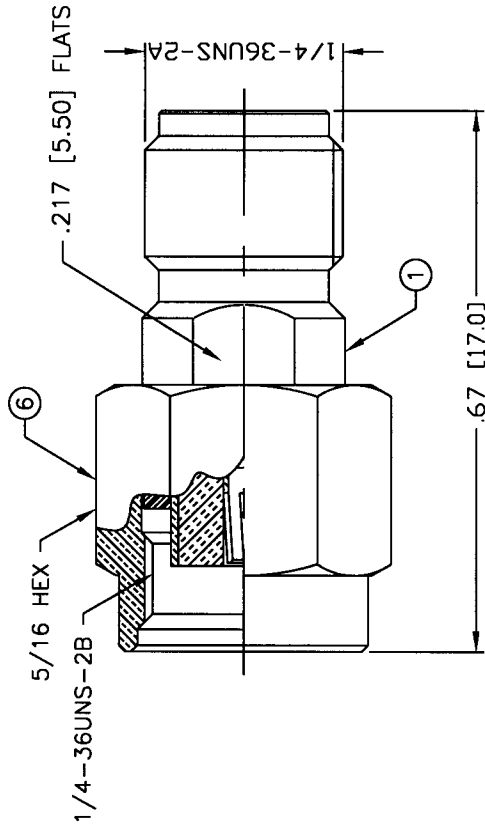
RP-3405

PART NO.

THIS DRAWING CONTAINS INFORMATION PROPRIETARY TO RF INDUSTRIES.
 ANY UNAUTHORIZED USE OF THIS DRAWING IS EXPRESSLY PROHIBITED
 WITHOUT WRITTEN PERMISSION FROM RF INDUSTRIES.
 ANY VIOLATION IS PUNISHABLE UNDER U.S. COPYRIGHT LAWS.

ALL DIMENSIONS ARE REFERENCE ONLY

REV	DESCRIPTION	DWN	DATE	APPROVED
-	ENGINEERING RELEASE	CZS	10/28/02	JDMc



SPECIFICATIONS:

IMPEDANCE: 50 Ohms
 FREQUENCY RANGE: 0-12.4 GHz
 INSULATION RESISTANCE: 5k M Ohms min.
 TEMPERATURE RANGE: -65°C TO 85°C

#	DESCRIPTION	QTY	MATERIAL	FINISH
1	BODY	1	BRASS	NICKEL, 100 μ"
2	INSULATOR	2	PTFE	---
3	CONTACT	1	Be. Cu.	GOLD, 30 μ"
4	GASKET	1	RUBBER	---
5	RETAINING RING	1	Be. Cu.	---
6	SHELL	1	BRASS	NICKEL, 100 μ"
7				
8				
9				
10				
11				
12				
13				
14				

008974	DATE
DRAWN	10/28/02
C. ZUNIGA	
CHECKED	
ORJ DRAWN	10/28/02
C. ZUNIGA	
APPROVALS	

UNLESS OTHERWISE SPECIFIED:
 1. REMOVE ALL BURRS
 2. BREAK ALL CORNERS & EDGES .005 R. MAX.
 3. CHAMFER 1ST & LAST THREADS 45°
 4. SURFACE ROUGHNESS 63 FINISH MIL-STD-10
 5. DIAMETERS ON COMMON CENTERS TO BE CONCENTRIC WITHIN .002 T.I.R.
 6. ALL DIMENSIONS ARE AFTER PLATING.

DIMENSIONS ARE IN INCHES AND [MILLIMETERS]
 UNLESS OTHERWISE NOTED
 TOLERANCES ARE:
 DECIMALS .xxx±.003 [.08]
 .xxx±.001 [.03]
 .xx±.003 [.08]
 .xx±.005 [.13]

RF connectors
 DIVISION OF RF INDUSTRIES, LTD.

7610 MIRAMAR RD
 SAN DIEGO, CA 92126
 (858) 549-6340
 (858) 549-6345 FAX

SMA RP PLUG TO SMA JACK ADAPTER

SIZE	CABLE GROUP	DWG NO.	REV
A	N/A	RP-3405	-
SCALE:	NTS	CAD FILE	OUTLINE
SHEET	1	OF	1