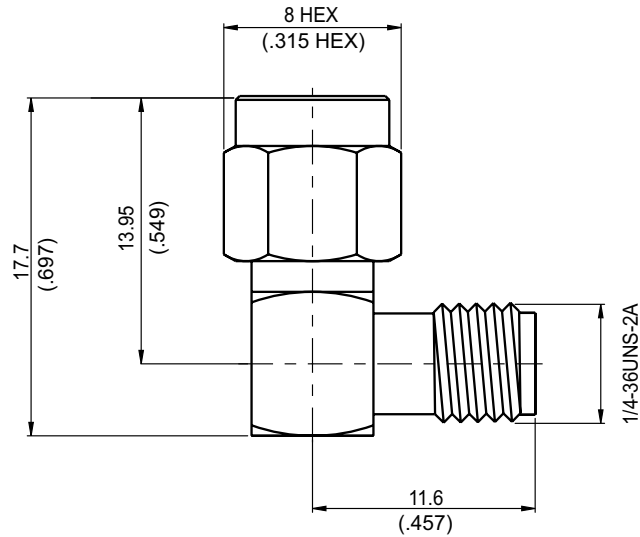


ALS-A3A8

Stainless SMA Plug To SMA Jack Right Angle 50Ω



Typical VSWR

Part Number	1~3 GHz	4 GHz	5 GHz	6 GHz	7~13 GHz
ALS-A3A8	1.04	1.06	1.1	1.16	1.19

Parts	Material	Plating (Micro-inch)
Cover	Stainless	Passivated
Renbrock Ring	Beryllium Copper	Gold 5 Over Nickel 50 Over Copper 50
Gasket	Silicon	
Contact Pin(Plug)	Brass	Gold 10 Over Nickel 50 Over Copper 50
Contact Pin(Jack)	Beryllium Copper	Gold 10 Over Nickel 50 Over Copper 50
Insulator	Teflon	
Body	Stainless	Gold 5 Over Nickel 50 Over Copper 50
Coupling Nut	Stainless	Passivated

Weight: 4.94g

This part number complies with RoHS.

Notice: JYBAO reserves the right to make modifications deemed appropriate.