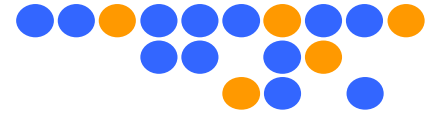


GigaLane Adapter Data Sheet



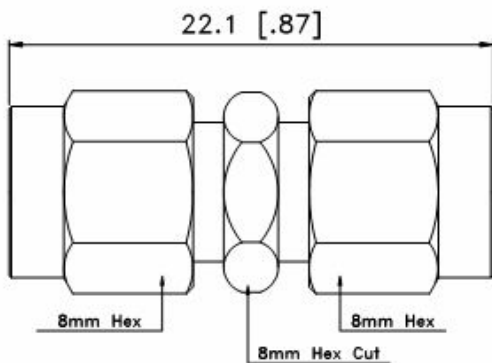
Part No. : SMS-ADP-SMS-01
(SMA Male to SMA Male Adapter)



Technical Data

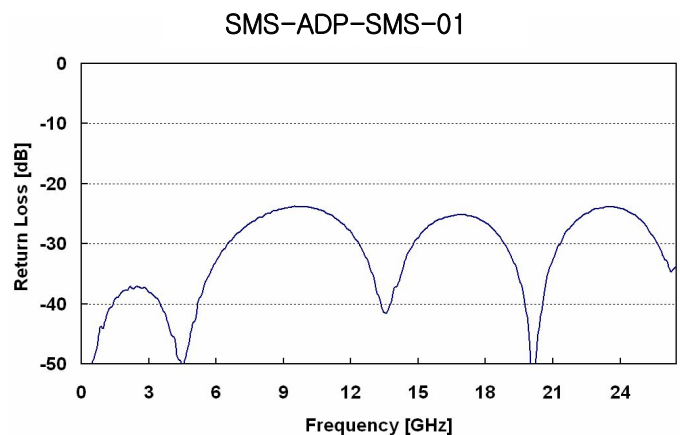
| ITEM | Specifications | | Descriptions |
|----------------|----------------------------------|---------------------|--------------|
| VSWR | DC~4GHz | 1.15 MAX | |
| | 4~26.5GHz | 1.20 MAX | |
| Insertion Loss | IL [dB] = Max. 0.06 X \sqrt{F} | | |
| Materials | Body | Stainless Steel 303 | Passivated |
| | Center Pin | Brass | Gold Plated |
| | Insulator | PTFE | |
| | Captivation | Low Loss Resin | |
| Temperature | -40°C ~ 125°C | | |

Outline Drawing



Unit : mm [inch]

Performance



GigaLane Adapter Data Sheet



Pin Control