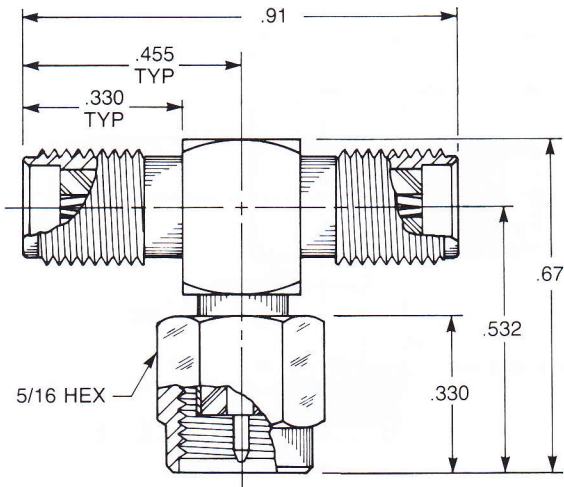


RESISTIVE TERMINATIONS

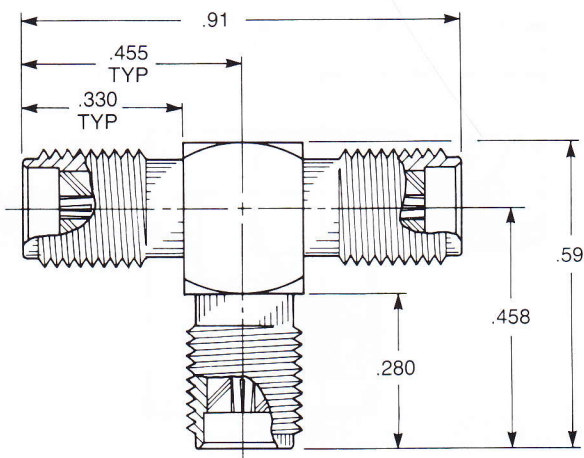


**Tee Adapter
(Unmatched Power Divider)
Jack To Plug To Jack**

- Connects two plugs and one jack

5905-1503-000 (Gold plated)

5905-9503-000 (Passivated)

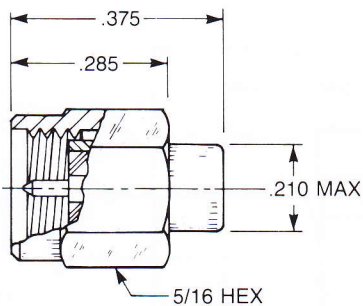


**Tee Adapter
(Unmatched Power Divider)
Jack To Jack To Jack**

- Connects three plugs

5903-1503-000 (Gold plated)

5903-9503-000 (Passivated)



**Plug Resistive Termination
(Dummy Load)**

- VSWR 1.15: 1 max. to 18 GHz.
- Maximum average power: 1 watt
- Peak power: 1.5 watts

9620-9003-151 (Passivated)

VSWR

