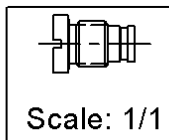
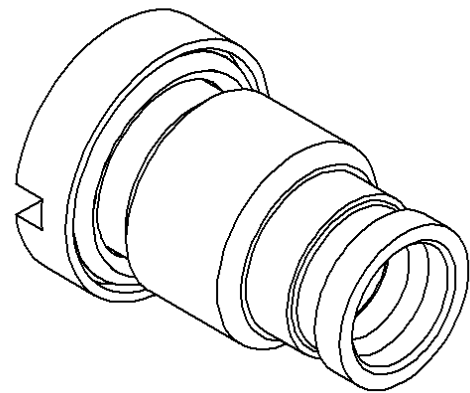
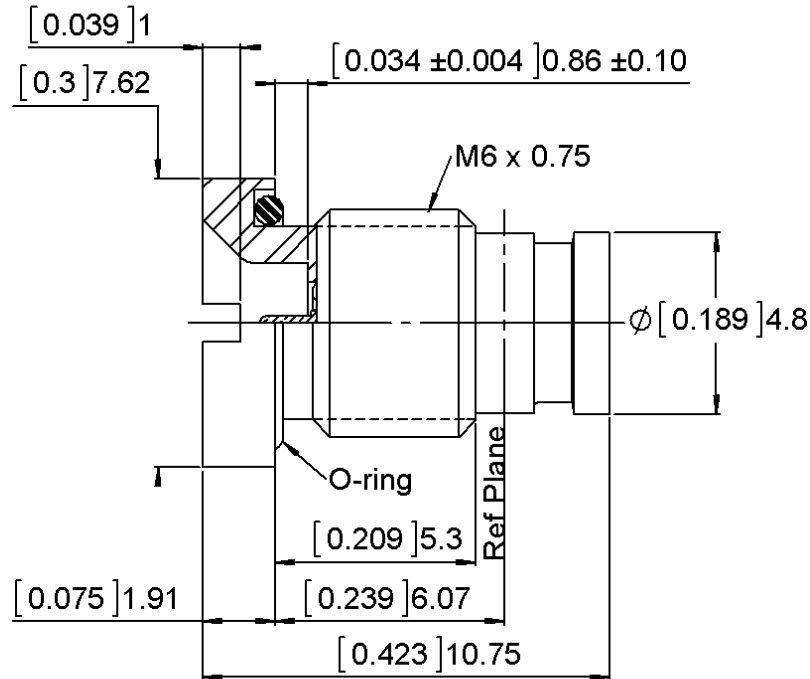
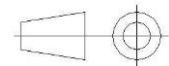


PAGE 1/2	ISSUE 26-04-17A	SERIES ADAPT	PART NUMBER R191658630
----------	-----------------	--------------	------------------------



All dimensions are in mm.



COMPONENTS	MATERIALS	PLATING (µm)
Body	<b>STAINLESS STEEL</b>	<b>PASSIVATED</b>
Center contact	<b>BERYLLIUM COPPER</b>	<b>GOLD OVER NICKEL</b>
Outer contact		
Insulator	<b>PTFE</b>	
Gasket	<b>FLUOROSILICONE</b>	
Others parts		
-	-	-
-	-	-

PAGE <b>2/2</b>	ISSUE <b>26-04-17A</b>	SERIES <b>ADAPT</b>	PART NUMBER <b>R191658630</b>
-----------------	------------------------	---------------------	-------------------------------

### PACKAGING

Standard	Unit	Other
<b>1</b>	<b>Contact us</b>	<b>Contact us</b>

### ELECTRICAL CHARACTERISTICS

Impedance		<b>50</b>	$\Omega$
Frequency		<b>0-40</b>	GHz
VSWR	<b>1.5</b>	<b>+</b>	<b>0.0000</b> x F(GHz) Maxi
Insertion loss		<b>0.12</b>	$\sqrt{F}$ (GHz) dB Maxi
RF leakage	<b>- (</b>	<b>NA</b>	- F(GHz) dB Maxi
Voltage rating		<b>335</b>	Veff Maxi
Dielectric withstanding voltage		<b>500</b>	Veff mini
Insulation resistance		<b>5000</b>	M $\Omega$ mini

### ENVIRONMENTAL

Operating	<b>-65/+165</b>	$^{\circ}\text{C}$
Hermetic seal	<b>NA</b>	Atm.cm3/s
Panel leakage	<b>NA</b>	

### MECHANICAL CHARACTERISTICS

Center contact retention			
Axial force – Mating End		<b>6.8</b>	N mini
Axial force – Opposite end		<b>6.8</b>	N mini
Torque			N.cm mini
Recommended torque			
Mating		<b>0</b>	N.cm
		<b>0</b>	N.cm
		<b>0</b>	N.cm
Panel nut			N.cm
Mating life		<b>500</b>	Cycles mini
Weight		<b>1.6360</b>	g

### SPECIFICATION

### OTHER CHARACTERISTICS