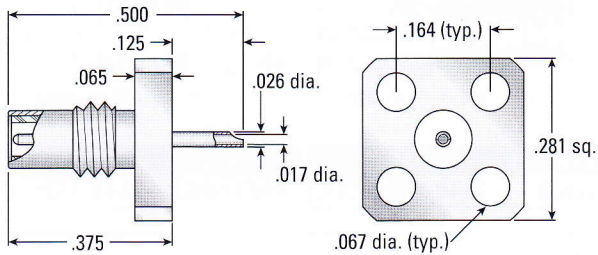


SSMC Receptacles and Adapters



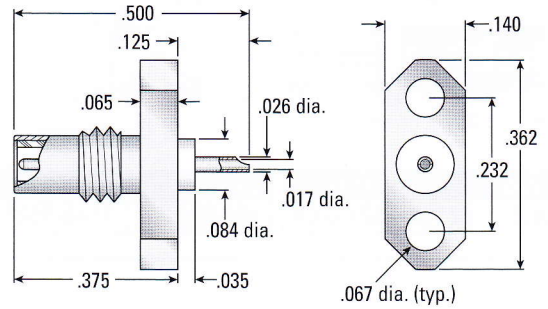
Straight Panel Jack Receptacle (Stainless steel bodies)

4-hole flange



AEP P/N
7198-1513-000

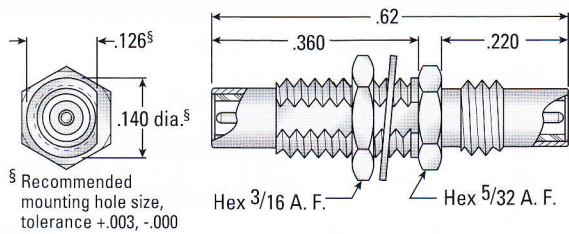
2-hole flange



AEP P/N
7100-1513-000

Bulkhead Mounted Adapters

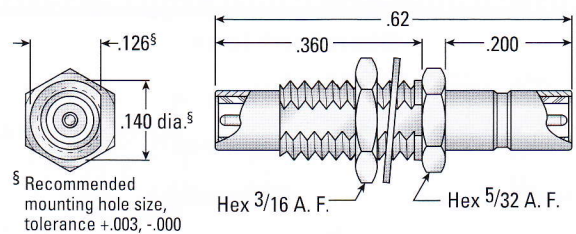
SSMC jack to SSMC jack



§ Recommended mounting hole size, tolerance +.003, -.000

AEP P/N
7122-1502-000

SSMC jack to SSMB jack

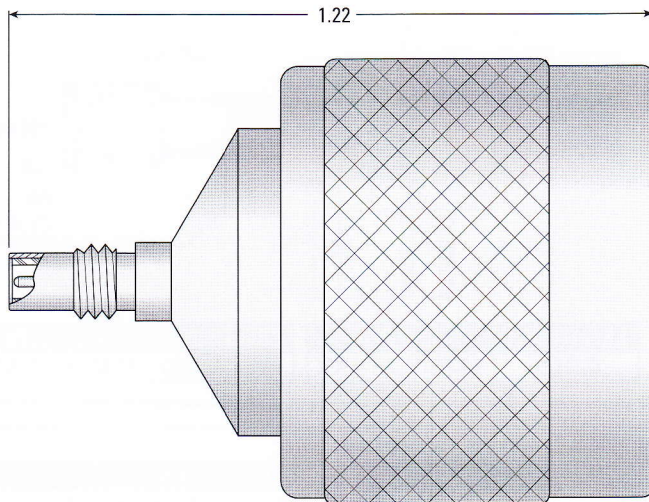


§ Recommended mounting hole size, tolerance +.003, -.000

AEP P/N
7022-1502-000

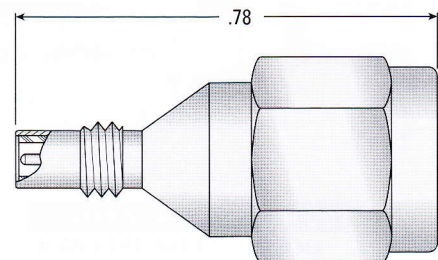
Adapters Between Series

N plug to SSMC jack



AEP P/N
5013-1503-000

SMA plug to SSMC jack



AEP P/N
5938-1503-000