

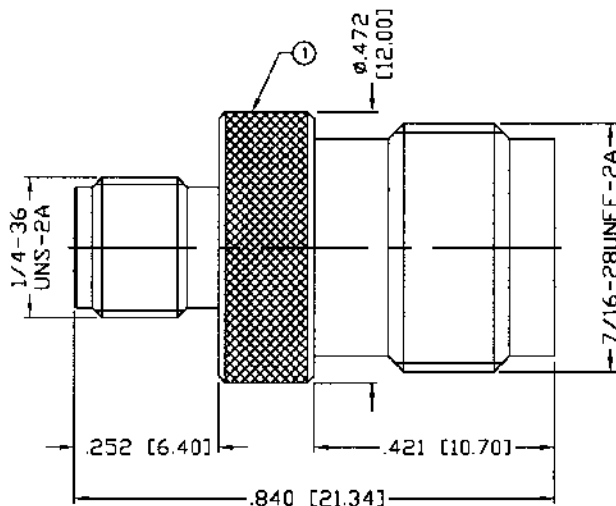
THIS DRAWING CONTAINS INFORMATION PROPRIETARY TO RF INDUSTRIES.
 ANY UNAUTHORIZED USE OF THIS DRAWING IS EXPRESSLY PROHIBITED
 WITHOUT WRITTEN PERMISSION FROM RF INDUSTRIES.
 ANY VIOLATION IS PUNISHABLE UNDER U.S. COPYRIGHT LAWS.

ALL DIMENSIONS ARE REFERENCE ONLY

PART NO.

RSA-3473

REV	DESCRIPTION	OWN	DATE	APPROVED
A	ENGINEERING RELEASE	CZS	11/24/97	R. RICE
B	UPDATE ELECTRIC. SPECS/UPDATE FROMAT/CHG. SMA END LENGHT	CZS	11/11/03	JDMc



SPECIFICATIONS:

IMPEDANCE: 50 Ohms
 INTERFACE: Per MIL-STD-348
 FREQUENCY RANGE: 0-11 GHz
 VSWR: < 1.12:1 to 6 GHz
 INSERTION LOSS: -0.13 dB Max 0-6 GHz
 WORKING VOLTAGE: 375 VRMS @ sea level
 TEMPERATURE RANGE: -65°C TO 165°C
 INSULATION RESISTANCE: 5k M Ohms min.
 RF LEAKAGE: N/A
 RF HIGH POTENTIAL: 1k VRMS @ 5~7.5 MHz
 CONNECTOR DURABILITY: 500 Cycles Min.

1	BODY	1	BRASS	NICKEL, 100μ"	008974	UNLESS OTHERWISE SPECIFIED:
2	INSULATOR	1	PTFE	---		
3	CONTACT	1	PHOS BRONZE	GOLD, 3μ"		
4	LOCK RING	1	BRASS	NICKEL, 100μ"		
5						
6						
7						
8						
9						
10						
11					DRAWN	
12					C. ZUNIGA	11/11/03
13					CHECKED	11-12-03
14					ORJ DRAWN	11/24/97
					C. ZUNIGA	
#	DESCRIPTION	QTY	MATERIAL	FINISH	APPROVALS	DATE

DIMENSIONS ARE IN INCHES AND [MILLIMETERS]
 UNLESS OTHERWISE NOTED TOLERANCES ARE:
 DECIMALS DIAMETER

RF connectors
 DIVISION OF RF INDUSTRIES, LTD.
 7610 MIRAMAR RD
 SAN DIEGO, CA 92126
 (858) 549-6340
 (858) 549-6345 FAX

SMA JACK TO TNC JACK ADAPTER

SIZE	CABLE GROUP	DWG NO.	REV
A	N/A	RSA-3473	B

SCALE: NTS CAD FILE OUTLINE SHEET 1 OF 1