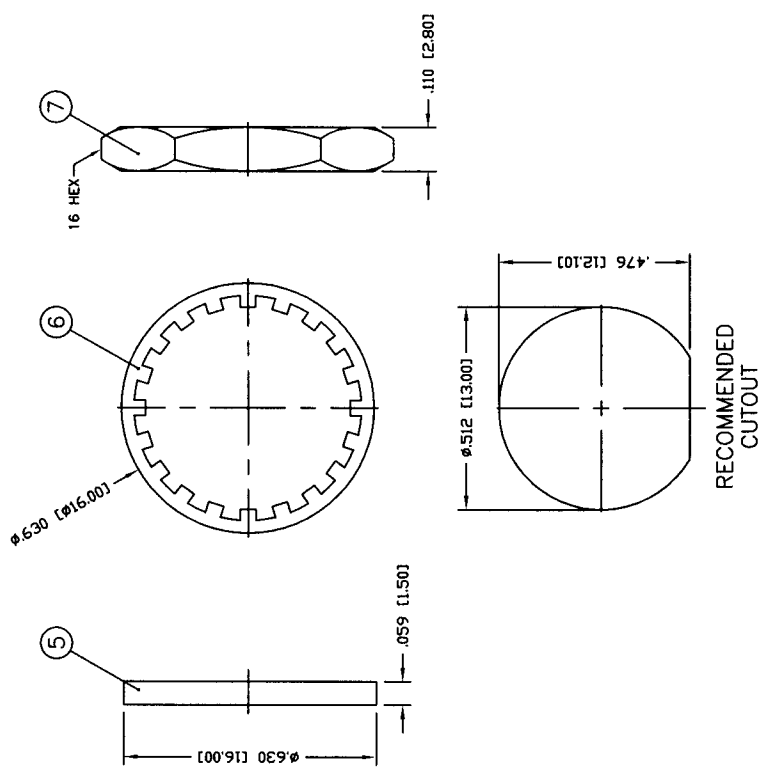


RFT-1226

REV	DESCRIPTION	DWN	DATE	APPROVED
A	ENGINEERING RELEASE	KMM	7/28/95	R. RICE
B	UPDATE DWG FORMAT AND SPEC'S & PART NUMBER(WAS 8544)	JDM	12/23/02	JDMc

THIS DRAWING CONTAINS INFORMATION PROPRIETARY TO RF INDUSTRIES. ANY UNAUTHORIZED USE OF THIS DRAWING IS EXPRESSLY PROHIBITED WITHOUT WRITTEN PERMISSION FROM RF INDUSTRIES. ANY VIOLATION IS PUNISHABLE UNDER U.S. COPYRIGHT LAWS.

ALL DIMENSIONS ARE REFERENCE ONLY



SPECIFICATIONS:

IMPEDANCE: 50 Ohms
 FREQUENCY RANGE: 0-7 GHz
 VSWR: < 1.10:1 UP TO 5 GHz
 WORKING VOLTAGE: 500 V rms @ SEA LEVEL
 INSULATION RESISTANCE: 5k M ohms min.
 TEMPERATURE RANGE: -65°C TO 165°C (GASKET 85°C MAX)

PART NO.		7610 MIRAMAR RD SAN DIEGO, CA 92126 (858) 549-6340 (858) 549-6345 FAX	
DESCRIPTION		RF connectors DIVISION OF RF INDUSTRIES, LTD.	
ENGINEERING RELEASE		TNC JACK TO TNC JACK BULKHEAD ADAPTER, W/ PANEL SEAL GASKET	
UPDATE DWG FORMAT AND SPEC'S & PART NUMBER(WAS 8544)		SIZE	REV
		A	B
		CABLE GROUP	DWG NO.
		N/A	RFT-1226
SCALE:	NTS	CAD FILE	OUTLINE
			SHEET 1 OF 1

UNLESS OTHERWISE SPECIFIED:		DIMENSIONS ARE IN INCHES AND [MILLIMETERS]	
1. REMOVE ALL BURRS	2. BREAK ALL CORNERS & EDGES .005 R. MAX.	UNLESS OTHERWISE NOTED TOLERANCES ARE:	
3. CHAMFER 1ST & LAST THREADS 45°	4. SURFACE ROUGHNESS 63 FINISH MIL-STD-10	DECIMALS	DIAMETER
5. DIAMETERS ON COMMON CENTERS TO BE CONCENTRIC WITHIN .002 T.I.R.	6. ALL DIMENSIONS ARE AFTER PLATING.	.xxx±.003 [.08]	.xxx±.001 [.03]
		.xx±.005 [.13]	.xx±.003 [.08]

1 BODY	1 BRASS	NICKEL, 100μ"	008974		
2 BODY	1 BRASS	NICKEL, 100μ"			
3 INSULATOR	1 PTFE	WHITE			
4 CONTACT	1 PHOS. B.	GOLD, 3μ"			
5 GASKET	1 RUBBER	RED			
6 LOCK WASHER	1 BRASS	NICKEL, 100μ"			
7 HEX NUT	1 BRASS	NICKEL, 100μ"			
8					
9					
10					
11					
12					
13					
14					
#	DESCRIPTION	QTY	MATERIAL	FINISH	DATE