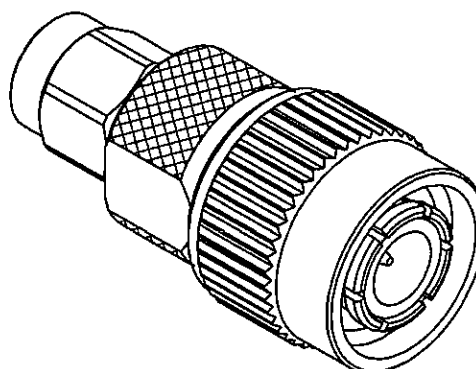
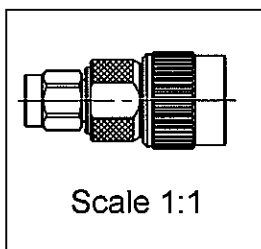
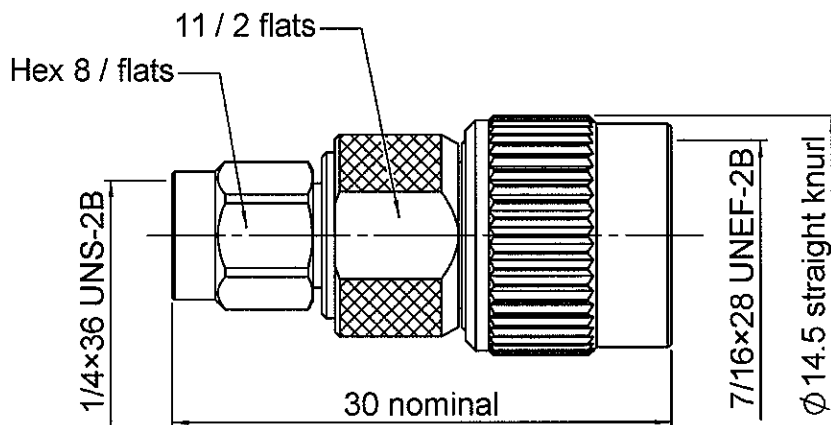


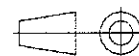
ADAPTOR SMA MALE - TNC MALE

R191.309.000

Série : ADAPT



All dimensions are in mm.



COMPONENTS	MATERIALS	PLATING (µm)
BODY	BRASS	NICKEL 2
CENTER CONTACT	BRASS	GOLD 2.5 OVER NICKEL 2
OUTER CONTACT	-	-
INSULATOR	PTFE	-
GASKET	SILICONE RUBBER	-
OTHERS PARTS	BERYLLIUM COPPER	NICKEL 2
-	-	-
-	-	-

Issue : 0921 H

In the effort to improve our products, we reserve the rights to make changes judged to be necessary.



ADAPTOR SMA MALE - TNC MALE

R191.309.000

Série : ADAPT

PACKAGING

Standard	Unit	Other
1		Contact us

SPECIFICATION

ELECTRICAL CHARACTERISTICS

Impedance		50 Ω
Frequency		0-11 GHz
VSWR	1.05 +	0.025 x F(GHz) Maxi
Insertion loss		0.06 √F(GHz) dB Maxi
RF leakage	- (60 - F(GHz)) dB Maxi
Voltage rating		335 Veff Maxi
Dielectric withstanding voltage		1000 Veff mini
Insulation resistance		5000 MΩ mini

ENVIRONMENTAL

Operating	-65/+125 ° C
Hermetic seal	NA Atm.cm3/s
Panel leakage	NA

MECHANICAL CHARACTERISTICS

Center contact retention		
Axial force – Mating end		27 N mini
Axial force – Opposite end		27 N mini
Torque		2.8 N.cm mini
Recommended torque		
Mating	SMA	0 N.cm
	TNC	0 N.cm
	-	0 N.cm
Panel nut	NA	NA N.cm
Mating life		500 Cycles mini
Weight		15.1800 g

OTHER CHARACTERISTICS

Issue : 0921 H

In the effort to improve our products, we reserve the rights to make changes judged to be necessary.

