

ENVELOPE / ASSEMBLY DRAWING

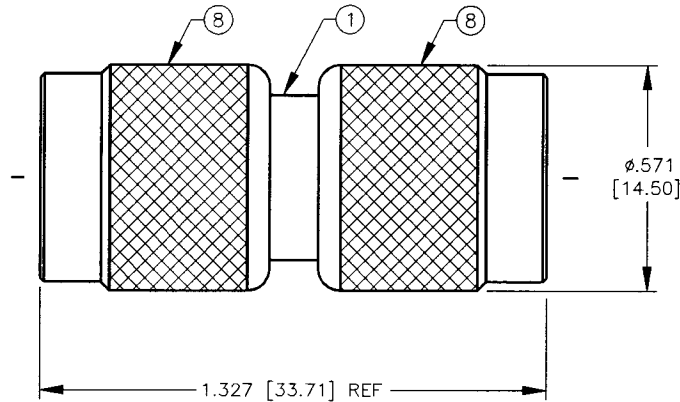
008974

SPECIFICATION CONTROL DRAWING

THIS DRAWING CONTAINS INFORMATION PROPRIETARY TO RF INDUSTRIES, LTD. ANY UNAUTHORIZED USE OF THIS DRAWING IS EXPRESSLY PROHIBITED. ANY VIOLATION IS PUNISHABLE UNDER U.S. COPYRIGHT LAWS.

REV	DESCRIPTION	DWN	DATE	APPROVED
A	ENGINEERING RELEASE	CZS	10/14/98	R. RICE

ALL DIMENSIONS ARE REFERENCE ONLY



SPECIFICATIONS:

IMPEDANCE: 50 OHMS
 WORKING VOLTAGE: 500 VRMS @ SEA LEVEL
 FREQUENCY RANGE: 0-7 GHz
 INTERFACE PER MIL-STD-348A, SECTION 313.1

DIMENSIONS ARE IN INCHES AND [MILLIMETERS]

UNLESS OTHERWISE NOTED TOLERANCES ARE:
 DECIMALS DIAMETER

RF connectors
 DIVISION OF RF INDUSTRIES, LTD.

7610 MIRAMAR RD
 SAN DIEGO, CA 92126
 (619)549-6340
 (619)549-6345 FAX

RFT-1224

TNC MALE TO TNC MALE ADAPTER

ITEM	DESCRIPTION	QTY	MATERIAL	FINISH
8	SHELL	2	BRASS	NICKEL
7	WASHER	2	BRASS	NICKEL
6	RING	2	DELTRIN	NONE
5	RETAINING RING	2	BRASS	NICKEL
4	GASKET	2	S.I. RUBBER	RED
3	DIELECTRIC	2	TEFLON	NONE
2	PIN	1	BRASS	GOLD
1	BODY	1	BRASS	NICKEL

DRAWN C. ZUNIGA	10/14/98
CHECKED <i>C. Zuniga</i>	10/14/98
OR DRAWN C. ZUNIGA	10/14/98
APPROVALS	DATE

SIZE A	CABLE GROUP N/A	DWG NO. 8969	REV A
SCALE: 2:1	CAD FILE 13ARC B	SHEET 1 OF 1	