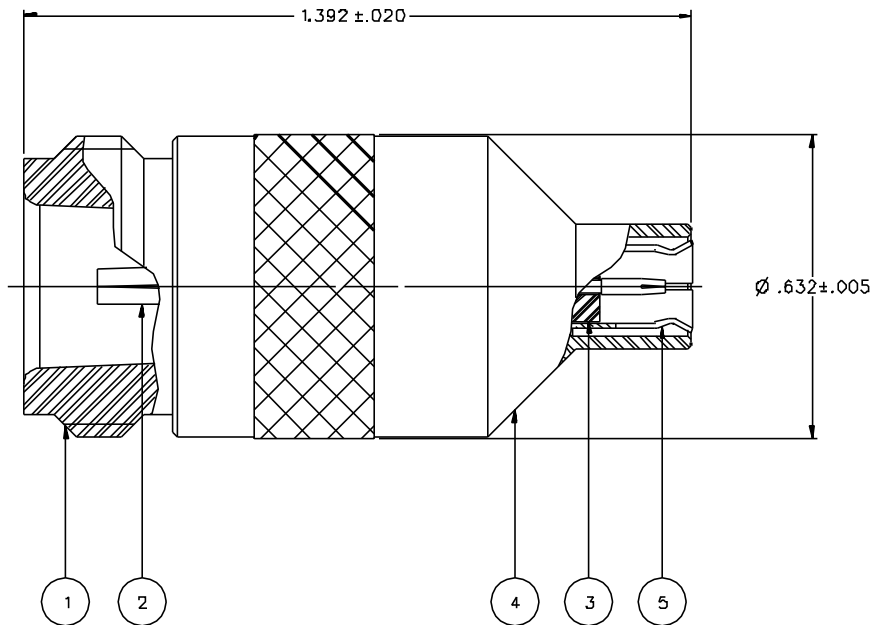


PART NUMBER 134-1069-021	ITEM ① TYPE N BODY STAINLESS STEEL PASSIVATED	ITEM ② CONTACT BERYLLIUM COPPER GOLD PL .00003 MIN OVER NICKEL PL .00005 MIN OVER COPPER PL .00005 MIN	ITEM ③ INSULATOR TEFLON	ITEM ④ SMB REAR BODY STAINLESS STEEL PASSIVATED	ITEM ⑤ INTERFACE BERYLLIUM COPPER GOLD PL .00003 MIN OVER NICKEL PL .00005 MIN OVER COPPER PL .00005 MIN
-----------------------------	--	---	-------------------------------	--	---



NOTES:

1. SPECIFICATIONS:

IMPEDENCE: 75 OHMS  
 FREQUENCY RANGE: 0-2 GHz  
 VSWR: 1.05 ±.01 F MAX (F IN GHz)  
 WORKING VOLTAGE: 335 VRMS MAX AT SEA LEVEL  
 DIELECTRIC WITHSTANDING VOLTAGE: 1000 VRMS MIN AT SEA LEVEL  
 INSULATION RESISTANCE: 1000 MEGOHM MIN  
 CONTACT RESISTANCE:  
 CENTER CONTACT - INITIAL 12 MILLIOHM MAX, AFTER ENVIRONMENTAL 15 MILLIOHM MAX  
 OUTER CONDUCTOR - GOLD PLATED INITIAL 1 MILLIOHM MAX, AFTER ENVIRONMENTAL 1.5 MILLIOHM MAX  
 PASSIVATED INITIAL 2.5 MILLIOHM MAX, AFTER ENVIRONMENTAL 3.5 MILLIOHM MAX  
 BRAID TO BODY - NOT APPLICABLE  
 CORONA LEVEL: NOT APPLICABLE  
 INSERTION LOSS: NOT APPLICABLE  
 RF LEAKAGE: NOT APPLICABLE  
 RF HIGH POTENTIAL WITHSTANDING VOLTAGE: 500 VRMS AT 4 AND 7 MHZ

MECHANICAL:

ENGAGE/DISENGAGE FORCE (MINISMB): INITIAL 14 LBS MAX AFTER DURABILITY 14 LBS MAX  
 ENGAGEMENT: 2 LBS MIN DISENGAGEMENT  
 MATING TORQUE (TYPE N): 6 IN-LB MIN WITH MATING PART  
 COUPLING PROOF TORQUE: NOT APPLICABLE  
 COUPLING NUT RETENTION: NOT APPLICABLE  
 CONTACT RETENTION: 4 LBS MIN AXIAL FORCE  
 CABLE ACCEPTABILITY: NOT APPLICABLE  
 CABLE HEX CRIMP SIZE: NOT APPLICABLE  
 CABLE RETENTION: NOT APPLICABLE  
 DURABILITY: 500 CYCLES MIN

ENVIRONMENTAL:

(MEETS OR EXCEEDS THE APPLICABLE PARAGRAPH OF MIL-C-39012)  
 THERMAL SHOCK: MIL-STD-202, METHOD 107, CONDITION B  
 OPERATING TEMPERATURE: -65 DEG C TO 165 DEG C  
 CORROSION: MIL-STD-202, METHOD 101, CONDITION B  
 SHOCK: MIL-STD-202, METHOD 213, CONDITION B  
 VIBRATION: MIL-STD-202, METHOD 204, CONDITION B

DRAWING NO.

C - 134-1069-021/030

0 REVISIONS

ENGINEERING RELEASE

1 1-17-92 R V I T S H 1-22-92  
H B J A B FCO 4078F

ADDED: 1000 VRMS MIN DMV TO SPECS

2 6-18-92 R V I T S H 6-23-92  
H B J A B FCO 41090

CHANGED: RF HIGH POT 4 AND 7 MHZ WAS 5 MHZ, UPDATED GRAPHICS

3 2-3-97 R V I T S H 7-19-97  
H B J A B FCO 44436

VERSION UPDATE

3a 12-10-97 R V I T S H 12-10-97  
H B J A B FCO 45163

CHANGED: 1.392+-020 WAS .696  
 .020 (PRINT ERROR)

\* REVISION NUMBER FOLLOWED BY AN ALPHA \*  
 \* CHARACTER INDICATES DRAWING CLARIF. \*  
 \* GATION OR PART NUMBER ADDITION ONLY. \*


3b 6-17-99 R V I T S H 6-17-99  
H B J A B FCO 46487

CUSTOMER DRAWING

THIS DRAWING TO BE INTERPRETED PER ANS Y 14.5M - 1982

"µSTATION"

COMPANY CONFIDENTIAL

TOLERANCE UNLESS OTHERWISE SPECIFIED	DRAWN BY <b>VET</b>	DATE 6-11-91	 299 Johnson Ave. P.O. Box 1732 Waseca, MN 56093-0832	
DECIMALS .XX	CHECKED BY	DATE	TITLE ASSEMBLY, ADAPTER 75 OHM TYPE N JACK - MINI 75 OHM SMB PLUG	
.XXX	APPROVED BY VET	DATE 1-20-92	CODE NO.	DRAWING NO. C - 134-1069-021/030
NATL	APPROVED BY TAK/RJB	DATE 1-20-92	SCALE 5:1	U/W INCH SHEET 2 OF 2
FINISH	RELEASE DATE	1-22-92		