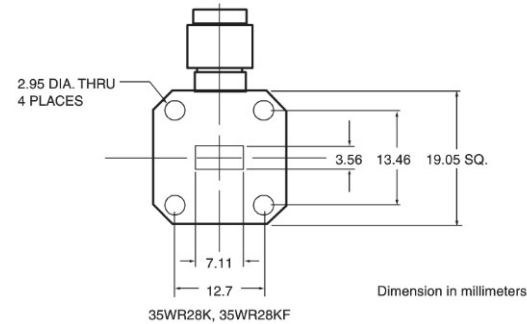
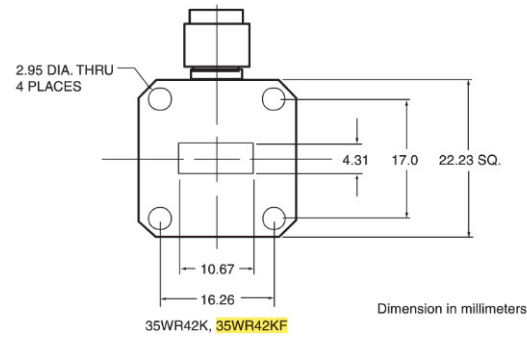
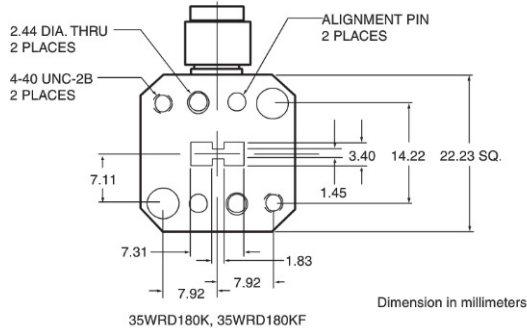
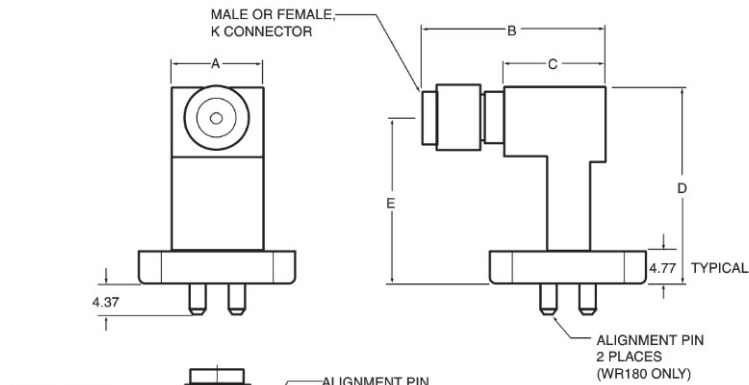


# INSTRUMENTATION GRADE WAVEGUIDE ADAPTERS

35WR Series 18 to 110 GHz

## Outline Drawings



Model	Dimensions (mm)				
	A	B	C	D	E
35WRD180K	13.20	27.9	14.43	28.40	23.80
35WRD180KF	13.20	22.9	14.43	28.40	23.80
35WR42K	13.20	27.9	14.43	28.14	23.93
35WR42KF	13.20	22.9	14.43	28.14	23.93
35WR28K	10.67	27.9	14.86	28.78	23.93
35WR28KF	10.67	22.9	14.86	28.78	23.88

35WRD180K, 35WRD180KF, 35WR42K, 35WR42KF, 35WR28K, 35WR28KF outlines