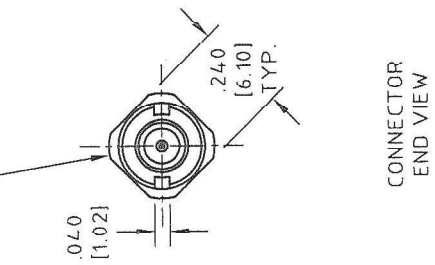
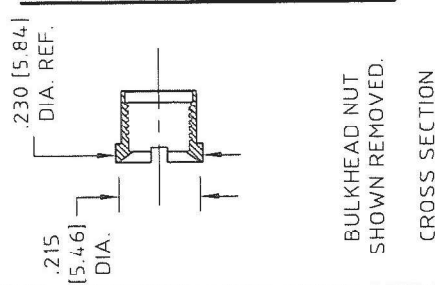
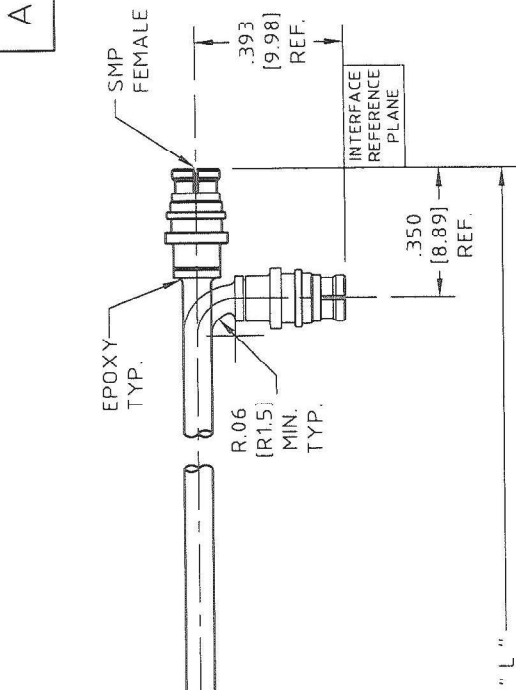
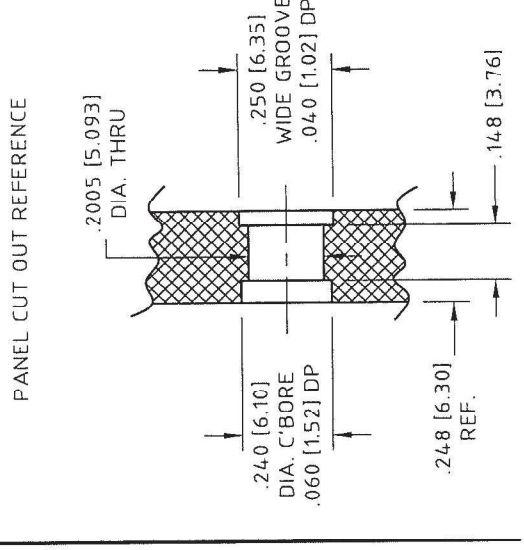


CONTROL DRAWING

32041E-29474HTC55R-29573HTCR-XX



| HUBER+SUHNER Astrolab PART NUMBER | DIMENSION "L" IN [mm] | 2.0 GHz VSWR IL dB | 12.0 GHz VSWR IL dB | 18.0 GHz VSWR IL dB |
|-----------------------------------|-----------------------|--------------------|---------------------|---------------------|
| 32041E-29474HTC55R-29573HTCR-6    | 6.00±.13 [152.4±3.3]  | 1.25:1 0.42        | 1.35:1 0.95         | 1.50:1 1.18         |
| 32041E-29474HTC55R-29573HTCR-7    | 7.00±.13 [177.8±3.3]  | 1.25:1 0.46        | 1.35:1 1.04         | 1.50:1 1.30         |
| 32041E-29474HTC55R-29573HTCR-8    | 8.00±.13 [203.2±3.3]  | 1.25:1 0.50        | 1.35:1 1.14         | 1.50:1 1.42         |
| 32041E-29474HTC55R-29573HTCR-10   | 10.00±.13 [254.0±3.3] | 1.25:1 0.57        | 1.35:1 1.34         | 1.50:1 1.66         |



- NOTES:
- DESCRIPTION, CABLE ASSEMBLY, SMP MALE BULKHEAD TO SMP FEMALE.
  - CABLE, COAXIAL CABLE HUBER+SUHNER Astrolab P/N 32041E MEETS OR EXCEEDS MIL-DTL-17 SEE HUBER+SUHNER Astrolab CONTROL DRAWING FOR MATERIALS AND FINISHES.
  - CONNECTOR -A-, SMP MALE CATCHERS MITT: HUBER+SUHNER Astrolab P/N 29474HTC55R-32-41 IAW MIL-STD-348. SEE HUBER+SUHNER Astrolab CONTROL DRAWING FOR MATERIALS AND FINISHES.
  - CONNECTOR -B-, SMP FEMALE: HUBER+SUHNER Astrolab P/N 29573HTCR-32-41 IAW MIL-STD-348. SEE HUBER+SUHNER Astrolab CONTROL DRAWING FOR MATERIALS AND FINISHES.

NOTES CONTINUED:

- MARKING: DIRECTLY ON CABLE, NONE. ALL MARKING WILL BE DONE ON PACKAGING.
- ELECTRICAL CHARACTERISTICS: IMPEDANCE, 50.0 Ohms NOMINAL. FREQUENCY, INSERTION LOSS AND VSWR SEE CHART.
- MECHANICAL: OPERATING TEMPERATURE RANGE, -55° C TO +125° C. CABLE ASSEMBLY LENGTH "L" MEASURED IAW MIL-PRF-55427.

UPDATE COSTARRICA COPY

|   |                          |  |
|---|--------------------------|--|
|   |                          | <p>NAME: EF</p> <p>DATE: 02/23/15</p>          |
| <p>ELEC. 02/23/15</p> <p>MECH. 02/23/15</p> <p>Q.C.</p>   |                          | <p>PREP. EF</p> <p>DATE: 02/23/15</p>          |
| <p>TITLE: CABLE ASSY, SMP MALE TO SMP FEMALE</p>  |                          |  |
| <p>UNLESS OTHERWISE SPECIFIED CORNERS AND FILLETS .005 MAX. RADIUS OR CHAMFER. SURFACE FINISH 63 RMS MICROINCHES OR BETTER.</p> |                          |  |
| <p>FRACTIONS ± 1/16</p> <p>X ± .030</p> <p>XX ± .015</p> <p>XXX ± .005</p> <p>ANGLES ± 1°</p> <p>DO NOT SCALE DRAWING</p>       |                          |  |
| <p>THOS. TO BE IN ACCORD WITH U.S. DEPT. OF COMM. SCREW THD. STD. FOR FEDERAL SERVICES 1950 SUPPL. TO HANDBOOK H 28.</p>        |                          |  |
| <p>REV. A</p>   | <p>ECN No. 16862</p>     | <p>DATE: 02/20/15</p>                          |
| <p>DESCRIPTION</p>  | <p>BY: EF</p>            | <p>APPROVED: [Signature]</p>                   |
| <p>SCALE: 2:1</p>   | <p>CODE IDENT. 16301</p> | <p>DWG NO. 32041E-29474HTC55R-29573HTCR-XX</p> |
| <p>REV. A</p>   | <p>SCALE: 2:1</p>        | <p>CODE IDENT. 16301</p>                       |

Huber+Suhner Astrolab  
 THIS DRAWING CONTAINS PATENTABLE AND PROPRIETARY INFORMATION. THE DESIGN CANNOT BE USED WITHOUT WRITTEN PERMISSION OF HUBER + SUHNER ASTROLAB.