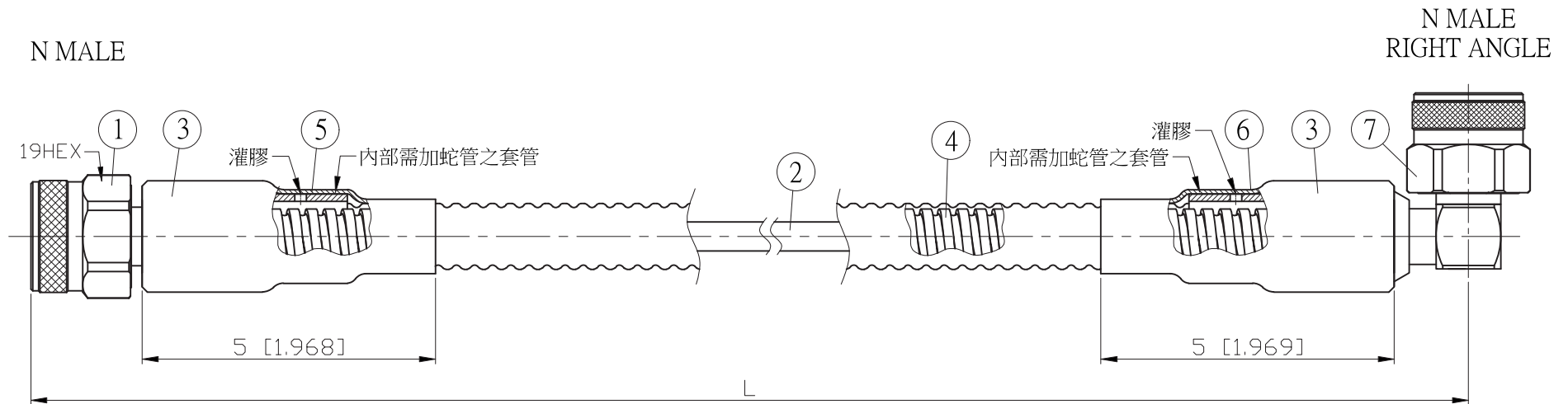


NO.	COMPONENTS	IMPEDANCE
1	N MALE	50 OHM
2	5005	50 OHM
3	ADHESIVE HEAT SHRINKING TUBE	
4	STAINLESS STEEL CORE, PVC JACKET	
5	FERRULE	
6	FERRULE	
7	N MALE RIGHT ANGLE	50 OHM

REVISION			
REV.	DESCRIPTION	DATE	APPROVED
-	INITIAL RELEASE	2014/02/17	
A	A201702ST=>T20170750	2016/04/26	

TEST LEAD WITH EXTRA STURDY CABLE / CONNECTOR CONNECTION.



JYE BAO P/N	Freq. (GHz)	Max. Return Loss	L CM (INCH)
N30N39-5005BT-12G50	12.4	-16.5dB	50 (19.685)
N30N39-5005BT-12G100			100 (39.370)
N30N39-5005BT-12G150			150 (59.055)
N30N39-5005BT-12G200			200 (78.740)
N30N39-5005BT-12GXXX			CUSTOM LENGTH IN CM

LENGTH TOLERANCE IS $\pm 1.5\%$ OR $\pm 10\text{MM}$, WHICHEVER IS GREATER.	STANDARD	REV A	UNIT CM(INCH)	JYE BAO CO., LTD. TAIPEI TAIWAN
	APPROVED		DATE	
	CHECKED		DATE	DESCRIPTION CABLE ASSEMBLY N PLUG TO N PLUG R/A
	DRAWING Albert		DATE	JYE BAO DRAWING NO. N30N39-5005BT-12GXXX