

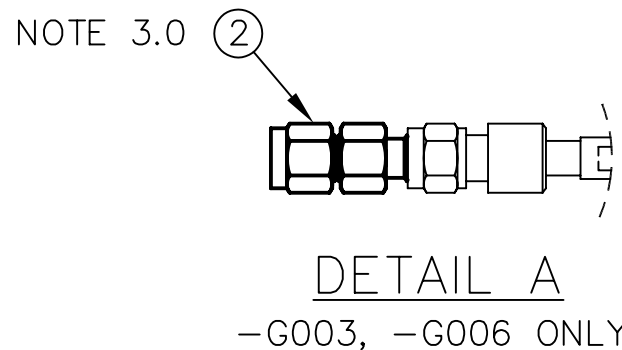
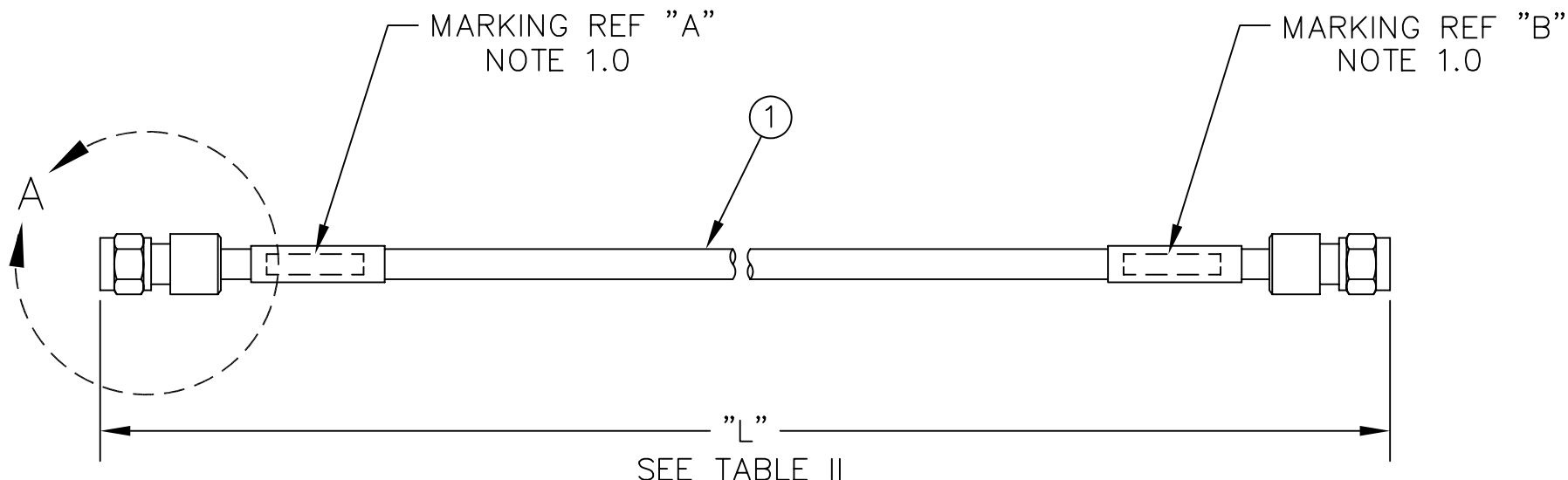
NOTES:

- 1.0 MARKER SLEEVING NOT SHOWN ON PARTS LIST. SELECT SUITABLE HEATSHRINK MARKERS EQUAL TO OR BETTER THAN BRADY MARKING SYSTEM
- 2.0 MARK SLEEVING IN ACCORDANCE WITH TABLE # 1
- 2.1 TRIM BANDMARKER TO ONE CHARACTER WIDTH MAX ON EACH SIDE OF MARKING. .50 MINIMUM MARKER SLEEVING LENGTH
- 2.2 MARK PERMANENT AND LEGIBLE IN ACCORDANCE WITH MIL-STD-454, REQUIREMENT 67, COLOR BLACK, HEIGHT .12-.25
- 2.3 LOCATE MARKERS APPROXIMATELY AS SHOWN
- 3.0 ASSEMBLE ATTENUATOR (FN2), -G003 & -G006 ONLY

CAD MAINTAINED. CHANGES SHALL BE INCORPORATED BY THE DESIGN ACTIVITY

REVISIONS				
ZONE	REV	DESCRIPTION	DATE	APPROVED
	-	INITIAL RELEASE	04/09/14	SN
	A	ECO 05-057	05/02/03	SN
	B	ECO 05-109	05/03/01	SN

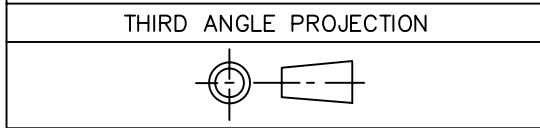
GROUP	"A" MARKING	"B" MARKING
-G001	150-012699-G001 W113P1/N2A1J2	W113P2/N4A3J1
-G002	150-012699-G002 W114P1/N2A1J3	W114P2/N4A3J3
-G003	150-012699-G003 W112P1/N2A1J1	W112P2/N4A3J5
-G004	150-012699-G004 W116P1/N2A1J8	W116P2/N4A13J1
-G005	150-012699-G005 W117P1/N2A1J9	W117P2/N4A13J3
-G006	150-012699-G006 W115P1/N2A1J7	W115P2/N4A13J5



THIS DRAWING CONTAINS INFORMATION WHICH SENSIS CORPORATION CONSIDERS PROPRIETARY AND CONFIDENTIAL. NO PORTION OF THIS DRAWING MAY BE REPRODUCED OR COPIED WITHOUT PRIOR WRITTEN PERMISSION OF SENSIS CORPORATION.

GROUP	ITEM 1		"L" ±.50
	SENSIS PN:	SEMFLEX, INC PN:	
-G001, -G004	150-012698-P001	2121-SW180-012	12.00
-G002, -G005	150-012698-P002	2121-SW180-018	18.00
-G003, -G006	150-012698-P003	2121-SW180-024	24.00

																		B	REV	REV STATUS	
																			1	SHEET	OF SHEETS



UNLESS OTHERWISE SPECIFIED DIMENSIONS ARE IN INCHES. TOLERANCES ON: 2 PL DECIMALS ± 3 PL DECIMALS ± ANGLES ± FRACTIONS ± DIMENSIONING AND TOLERANCING IAW ANSI 14.5M-1982 PREPARED IAW MIL-STD-100	CONTRACT NUMBER				5793 Widewaters Parkway DeWitt, New York 13214	
	SIGNATURES				YR-MO-DY	
	DRAWN B.FAIRMAN		04/09/07		<p align="center">CABLE, SMA M TO M</p>	
	CHECKED J.CRANDALL		04/09/08			
	ENGRG B.FAIRMAN		04/09/09			
	MFG T.REIDY		04/09/13		SIZE	CAGE CODE
ISSUED S.NELSON		04/09/13		B	1EG52	150-012699
				SCALE:NONE	SHEET 1 OF 1	