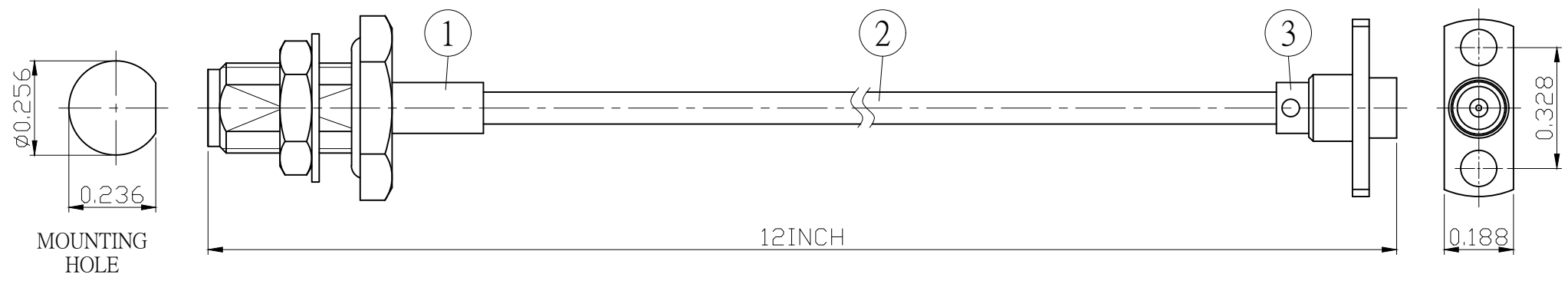


REVISION			
REV.	DESCRIPTION	DATE	APPROVED
-	INITIAL RELEASE	2016/05/12	



NOTE:  
VSWR < 1.4:1 UP TO 18GHz

裁線長度: 295.0 MM

DIMENSION ARE MILLIMETERS UNLESS OTHERWISE SPECIFIED TOLERANCES ( UNIT: MM )  10~30 = ±1.5 30~200 = ±10 200~1000 = ±25 1000~ = ±35				CUSTOMER	REV	UNIT	<b>JYE BAO CO., LTD.</b> TAIPEI TAIWAN
				ECM	-	INCH	
APPROVED  CHECKED  DRAWING				DATE			DESCRIPTION
				DATE			CABLE ASSEMBLY SMA JACK TO SMP PLUG
NO. PARTS NO. DESCRIPTION Q'TY U/M				DATE		CUSTOMER DRAWING NO.	JYE BAO DRAWING NO.
				DATE			A85P36-85S-12INECM

*Albert*