

# SLB Float Mounted Bulkhead Jacks

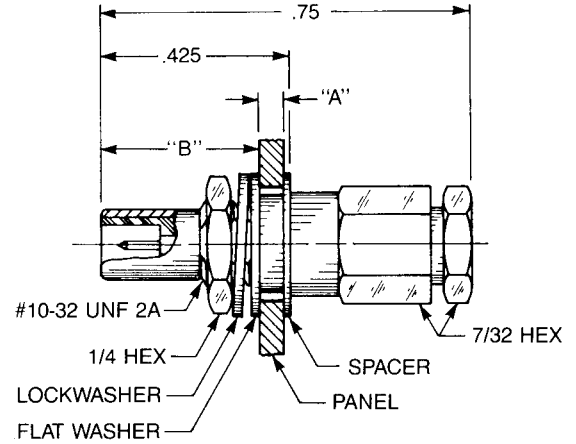
Click on part number to go directly to cable assembly instructions

Clamp Type for Flexible Cable  
or Solder-Clamp for Semi-Rigid Cable

## Float Mount Straight Male Bulkhead Cable Jack

Dim. A	Dim. B	Clamp type for flexible cable:
.031	.365	3003-1551-5XX (Gold plated) 3003-7551-5XX (Nickel plated)
.062	.334	3003-1551-6XX (Gold plated) 3003-7551-6XX (Nickel plated)
.093	.303	3003-1551-7XX (Gold plated) 3003-7551-7XX (Nickel plated)

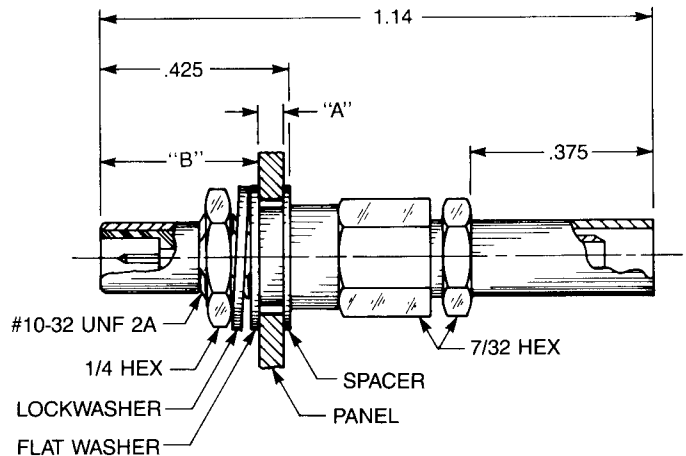
Dim. A	Dim. B	Solder-clamp for semi-rigid cable:
.031	.365	3003-1541-5XX (Gold plated) 3003-7541-5XX (Nickel plated)
.062	.334	3003-1541-6XX (Gold plated) 3003-7541-6XX (Nickel plated)
.093	.303	3003-1541-7XX (Gold plated) 3003-7541-7XX (Nickel plated)



## Crimp Type for Flexible Cable

## Float Mount Straight Male Bulkhead Cable Jack

Dim. A	Dim. B	Crimp type for flexible cable:
.031	.365	3003-1571-5XX (Gold plated) 3003-7571-5XX (Nickel plated)
.062	.334	3003-1571-6XX (Gold plated) 3003-7571-6XX (Nickel plated)
.093	.303	3003-1571-7XX (Gold plated) 3003-7571-7XX (Nickel plated)



Substitute the appropriate cable group number for "XX" when ordering:

GROUP	CABLE TYPES	GROUP	CABLE TYPES	GROUP	CABLE TYPES
02	RG178, RG196, M17/93, M17/169	05	RG178DS, RG196DS	10	.085" semi-rigid, RG405, M17/133
03	RG174, RG179, RG316, M17/113, M17/119, M17/172, M17/189	09	.141" semi-rigid, RG 402M17/130	19	RG174DS, RG316DS, M17/151, M17/152, Times RD-316