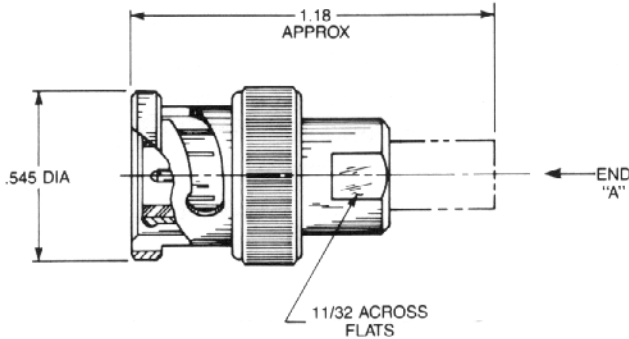


# adapters

BETWEEN SERIES

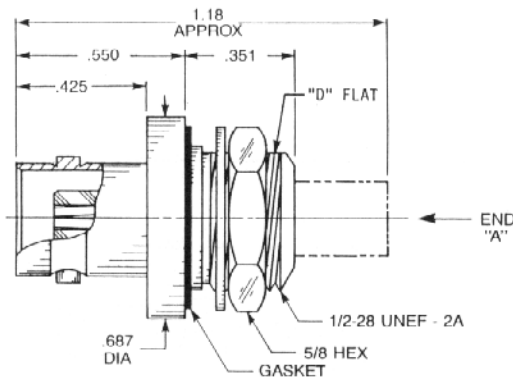
## BNC TO SUBMINIATURE

### BNC PLUG



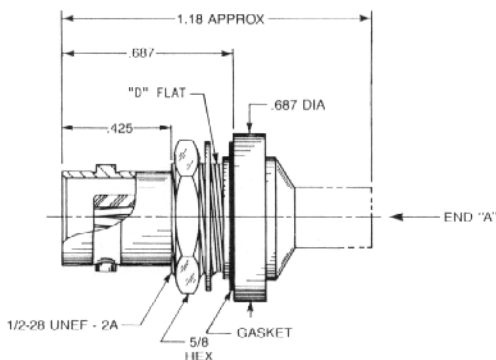
END "A" CONFIGURATION	SMC MALE JACK	5402-1501-000 5402-7501-000
	SMC FEMALE PLUG	5403-1501-000 5403-7501-000
	SMB MALE JACK	5404-1501-000 5404-7501-000
	SMB FEMALE PLUG	5405-1501-000 5405-7501-000
	75 OHM SCREW-ON MALE JACK	5406-1501-000 5406-7501-000
	75 OHM SCREW-ON FEMALE PLUG	5407-1501-000 5407-7501-000
	75 OHM SNAP-ON MALE JACK	5408-1501-000 5408-7501-000
	75 OHM SNAP-ON FEMALE PLUG	5409-1501-000 5409-7501-000

### BNC BULKHEAD JACK FRONT MOUNT



END "A" CONFIGURATION	SMC MALE JACK	5510-1501-000 5510-7501-000
	SMC FEMALE PLUG	5511-1501-000 5511-7501-000
	SMB MALE JACK	5512-1501-000 5512-7501-000
	SMB FEMALE PLUG	5513-1501-000 5513-7501-000
	75 OHM SCREW-ON MALE JACK	5514-1501-000 5514-7501-000
	75 OHM SCREW-ON FEMALE PLUG	5515-1501-000 5515-7501-000
	75 OHM SNAP-ON MALE JACK	5516-1501-000 5516-7501-000
	75 OHM SNAP-ON FEMALE PLUG	5517-1501-000 5517-7501-000

### BNC BULKHEAD JACK REAR MOUNT



END "A" CONFIGURATION	SMC MALE JACK	5502-1501-000 5502-7501-000
	SMC FEMALE PLUG	5503-1501-000 5503-7501-000
	SMB MALE JACK	5504-1501-000 5504-7501-000
	SMB FEMALE PLUG	5505-1501-000 5505-7501-000
	75 OHM SCREW-ON MALE JACK	5506-1501-000 5506-7501-000
	75 OHM SCREW-ON FEMALE PLUG	5507-1501-000 5507-7501-000
	75 OHM SNAP-ON MALE JACK	5508-1501-000 5508-7501-000
	75 OHM SNAP-ON FEMALE PLUG	5509-1501-000 5509-7501-000

-1501- indicates gold plated body  
-7501- indicates nickel plated body

AEP New Haven, CT  
203/776-2813