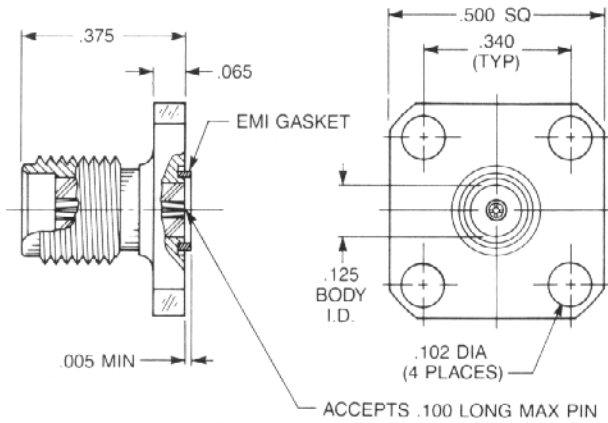




# HERMETIC SEAL LAUNCHERS

## FOR .012" DIAMETER PINS



### **Straight Jack 1/2" Square Flange**

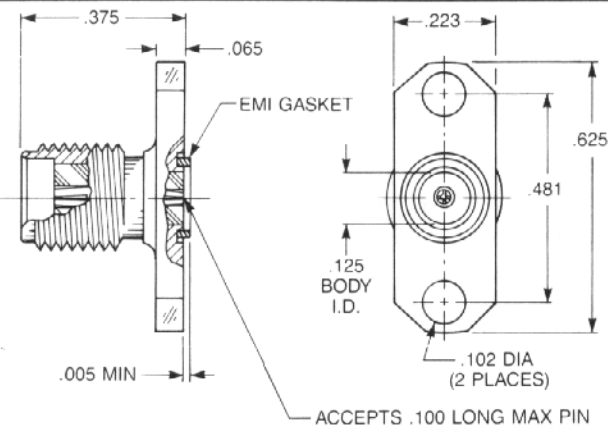
**9045-9513-000**

Optional packaging:

**9145-9513-000** (Includes 920-55)

**9245-9513-000** (Includes 920-55 and 907-111-1)

**9345-9513-000** (Includes 907-111-1)



### **Straight Jack 2-Hole Flange**

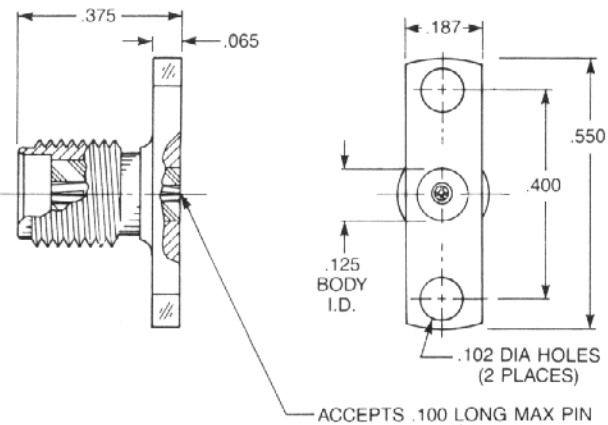
**9044-9513-000**

Optional packaging:

**9144-9513-000** (Includes 920-55)

**9244-9513-000** (Includes 920-55 and 907-111-1)

**9344-9513-000** (Includes 907-111-1)



### **Straight Jack Narrow 2-Hole Flange**

No EMI gasket

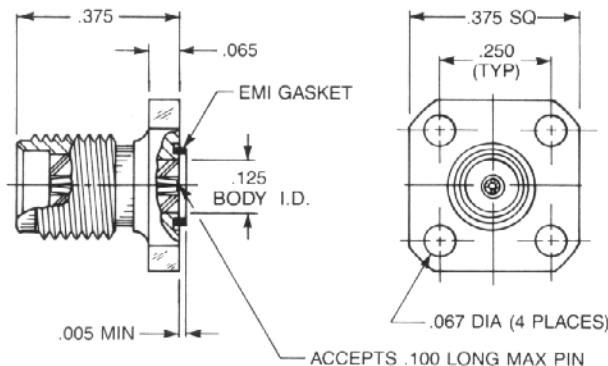
**9080-9513-000**

Optional packaging:

**9180-9513-000** (Includes 920-55)

**9280-9513-000** (Includes 920-55 and 907-111-1)

**9380-9513-000** (Includes 907-111-1)



### **Straight Jack 3/8" Square Flange**

**9079-9513-000**

Optional packaging:

**9179-9513-000** (Includes 920-55)

**9279-9513-000** (Includes 920-55 and 907-111-1)

**9379-9513-000** (Includes 907-111-1)

**These units accept pin diameters .011 to .015"**

**AEP** New Haven, CT  
203/776-2813

**Straight Jack  
Rectangular Flange**

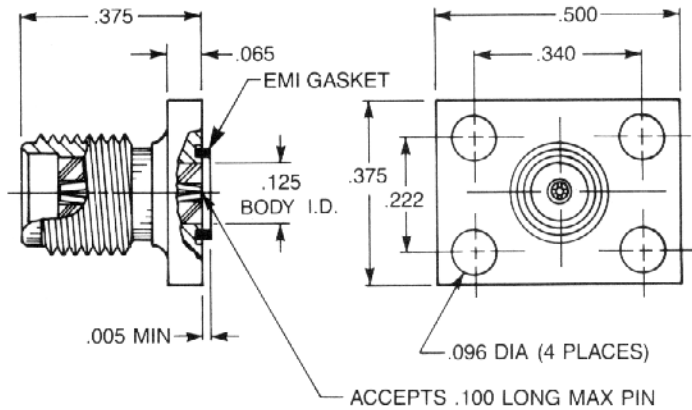
9062-9513-000

Optional packaging:

9162-9513-000 (Includes 920-55)

9262-9513-000 (Includes 920-55  
and 907-111-1)

9362-9513-000 (Includes 907-111-1)



**Straight Plug  
1/2" Square Flange**

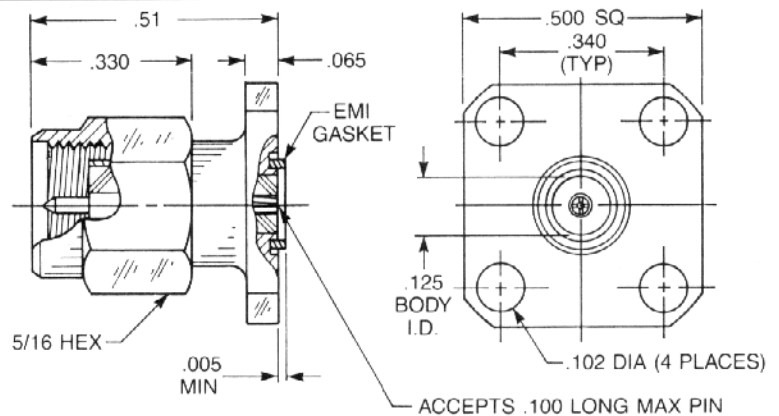
9047-9513-000

Optional packaging:

9147-9513-000 (Includes 920-55)

9247-9513-000 (Includes 920-55  
and 907-111-1)

9347-9513-000 (Includes 907-111-1)



**Straight Plug  
2-Hole Flange**

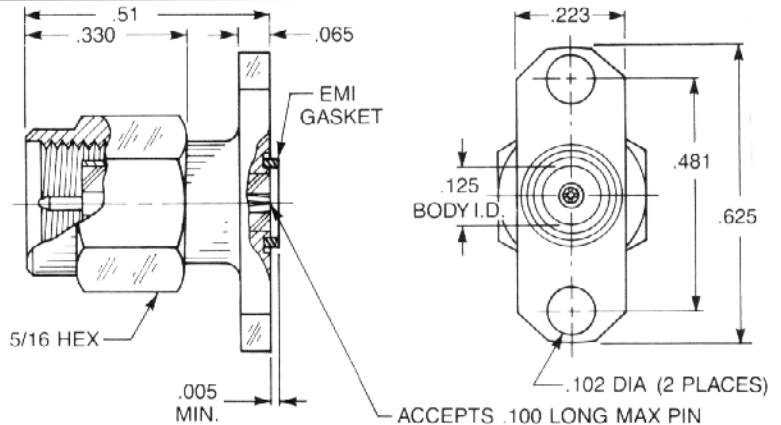
9046-9513-000

Optional packaging:

9146-9513-000 (Includes 920-55)

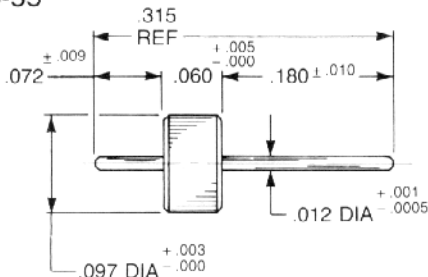
9246-9513-000 (Includes 920-55  
and 907-111-1)

9346-9513-000 (Includes 907-111-11)



**Solder-In Hermetic Seal**

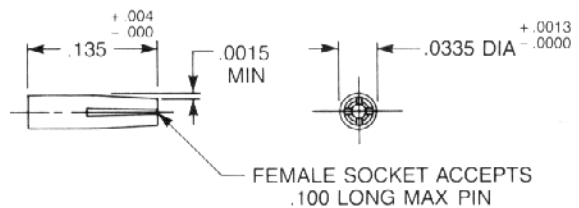
P/N 920-55



See page 45 for material and finish specifications and mounting dimensions.

**Accessory Contact**

P/N 907-111-1



Material: Beryllium copper  
Finish: Gold per MIL-G-45204, type II, class I, grade C, over .0001 copper per MIL-C-14550

These units accept pin diameters .011 to .015"