

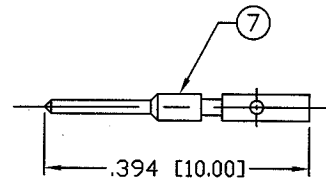
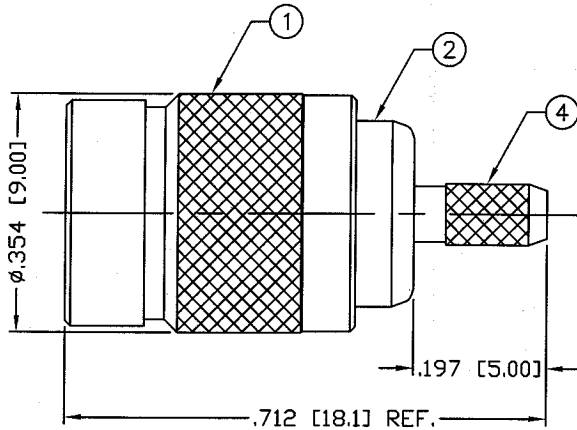
THIS DRAWING CONTAINS INFORMATION PROPRIETARY TO RF INDUSTRIES.
 ANY UNAUTHORIZED USE OF THIS DRAWING IS EXPRESSLY PROHIBITED
 WITHOUT WRITTEN PERMISSION FROM RF INDUSTRIES.
 ANY VIOLATION IS PUNISHABLE UNDER U.S. COPYRIGHT LAWS.

ALL DIMENSIONS ARE REFERENCE ONLY

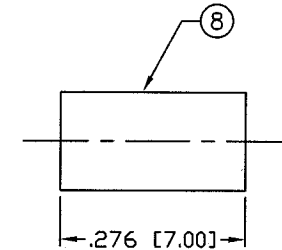
PART NO.

RF123-7000-B

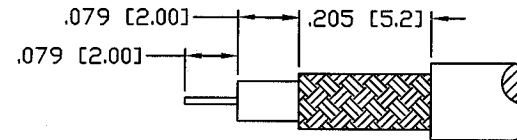
| REV | DESCRIPTION | DWN | DATE | APPROVED |
|-----|---------------------|-----|---------|----------|
| A | ENGINEERING RELEASE | GGG | 3/20/00 | JDMc |
| | | | | |
| | | | | |



RECOMMENDED SOLDER



RECOMMENDED CRIMP DIE .130



RECOMMENDED STRIPPING DIM'S

SPECIFICATIONS:

IMPEDANCE: 50 Ohms
 FREQUENCY RANGE: 0-10 GHz
 WORKING VOLTAGE: 250 V rms @ sea level
 TEMPERATURE RANGE: -65°C TO 155°C

FOR RG-174, 188, 188A, 316/U, ALPHA 9174, 9316,
 BELDEN 8216, 83269, 83284, 84316 & TIMES LMR-100A CABLE

| | | | | | | |
|----|--------------|-----|-------------|---------------|-----------|------|
| 1 | SHELL | 1 | BRASS | NICKEL, 100μ" | 008974 | |
| 2 | BODY | 1 | BRASS | NICKEL, 100μ" | | |
| 3 | SPRING | 1 | Be.Cu. | --- | | |
| 4 | FERRULE STUD | 1 | BRASS | NICKEL, 100μ" | | |
| 5 | INSULATOR | 1 | PTFE | --- | | |
| 6 | GROUND RING | 1 | PHOS BRONZE | GOLD, 10 μ" | | |
| 7 | PIN | 1 | BRASS | GOLD, 30 μ" | | |
| 8 | FERRULE | 1 | COPPER | NICKEL, 100μ" | | |
| 9 | | | | | | |
| 10 | | | | | | |
| 11 | | | | | | |
| 12 | | | | | | |
| 13 | | | | | | |
| 14 | | | | | | |
| # | DESCRIPTION | QTY | MATERIAL | FINISH | APPROVALS | DATE |

| | | |
|-----------|-------------|---------|
| DRAWN | G. GALLEGOS | 1/14/01 |
| CHECKED | JDMc | 1-14-01 |
| ORJ DRAWN | G. GALLEGOS | 1/14/01 |

UNLESS OTHERWISE SPECIFIED:

1. REMOVE ALL BURRS
2. BREAK ALL CORNERS & EDGES .005 R. MAX.
3. CHAMFER 1ST & LAST THREADS 45°
4. SURFACE ROUGHNESS 63 FINISH MIL-STD-10
5. DIAMETERS ON COMMON CENTERS TO BE CONCENTRIC WITHIN .002 T.I.R.
6. ALL DIMENSIONS ARE AFTER PLATING.

DIMENSIONS ARE IN INCHES AND [MILLIMETERS]

UNLESS OTHERWISE NOTED TOLERANCES ARE:

| DECIMALS | DIAMETER |
|-----------------|-----------------|
| .xxx±.003 [.08] | .xxx±.001 [.03] |
| .xx±.005 [.13] | .xx±.003 [.08] |

RFconnectors
 DIVISION OF RF INDUSTRIES, LTD.

7610 MIRAMAR RD
 SAN DIEGO, CA 92126
 (858) 549-6340
 (858) 549-6345 FAX

1.0/2.3 CRIMP PLUG

| | | | |
|--------|-------------|--------------|---------|
| SIZE | CABLE GROUP | DWG NO. | REV |
| A | B | RF123-7000-B | A |
| SCALE: | NTS | CAD FILE | OUTLINE |
| SHEET | | | 1 OF 1 |