

NOTES:

84-000-1085-00

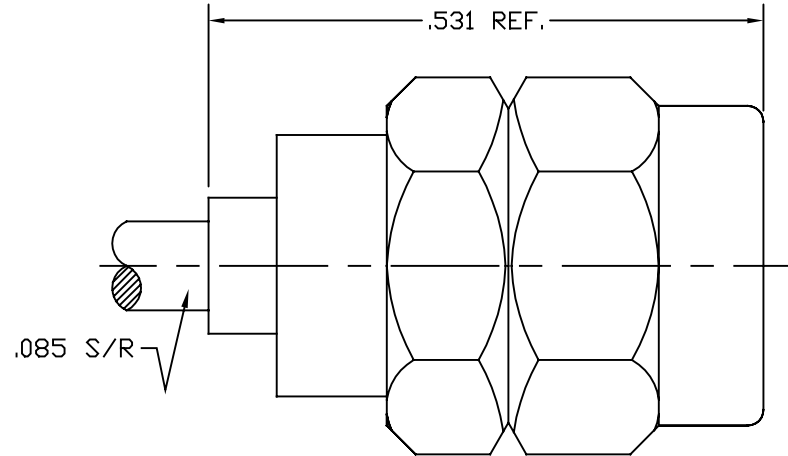
Materials: SST. corrosion-resistant, Non Magnetic 303, per ASTM A484 and A582. Beryllium Copper per ASTM-B-196, QQ-C-530


Finish: Center Conductors, Body and solder components shall be plated per MIL-G-45204 Type II, Class 1 over Nickel plate per QQ-N-290.

Frequency: DC-60 GHz

VSWR: 1.33 TO 60 GHz

Insertion Loss: $.05\sqrt{\text{Frequency}}$



LTR	DESCRIPTION	DATE	APPR.	DRAWN LMW	CHECKED	USED ON	 SRI CONNECTOR GAGE CO. 751 NORTH DRIVE MELBOURNE FL. 32934			
—	REL	04/03		APPR.	SCALE	84-000-1085-00	TITLE			
				UNLESS OTHERWISE SPECIFIED: 1. REMOVE ALL BURRS 2. BREAK ALL CORNERS & EDGES .005 R. MAX 3. CHAMFER 1st & LAST THREADS 45° 4. SURFACE FINISHED 32/ UNLESS OTHERWISE SPECIFIED. 5. DIAMETERS ON COMMON CENTERS TO BE CONCENTRIC WITHIN .002 T.I.R. 6. ALL DIMENSIONS ARE AFTER PLATING.		MATERIAL	1.85mm PLUG TO			
				DIMENSIONS ARE IN INCHES TOLERANCES		FINISH	.085 S/R CABLE			
				DECIMALS	FRACTIONAL	ANGULAR	SIZE	FSCM NO.	SHEET	DWG. NO.
				.X ±.030		.X° ±1°0'	A	OHMO1	1	84-000-1085-00
				.XX ±.010	± 1/64	.X°X' ±15'				
				.XXX +.005						