

***** THIS DRAWING AND ITS CONTENTS ARE THE SOLE PROPERTY OF PRECISION CONNECTOR *****
 INC. AND ARE SUBJECT TO CHANGE WITHOUT NOTICE UNLESS OTHERWISE SPECIFIED

NOTE: PART NUMBER WAS 1-000-1885-0

NOTE: DISTANCE FROM END OF CABLE
 CENTER COND. TO REF. PL. IS -.055

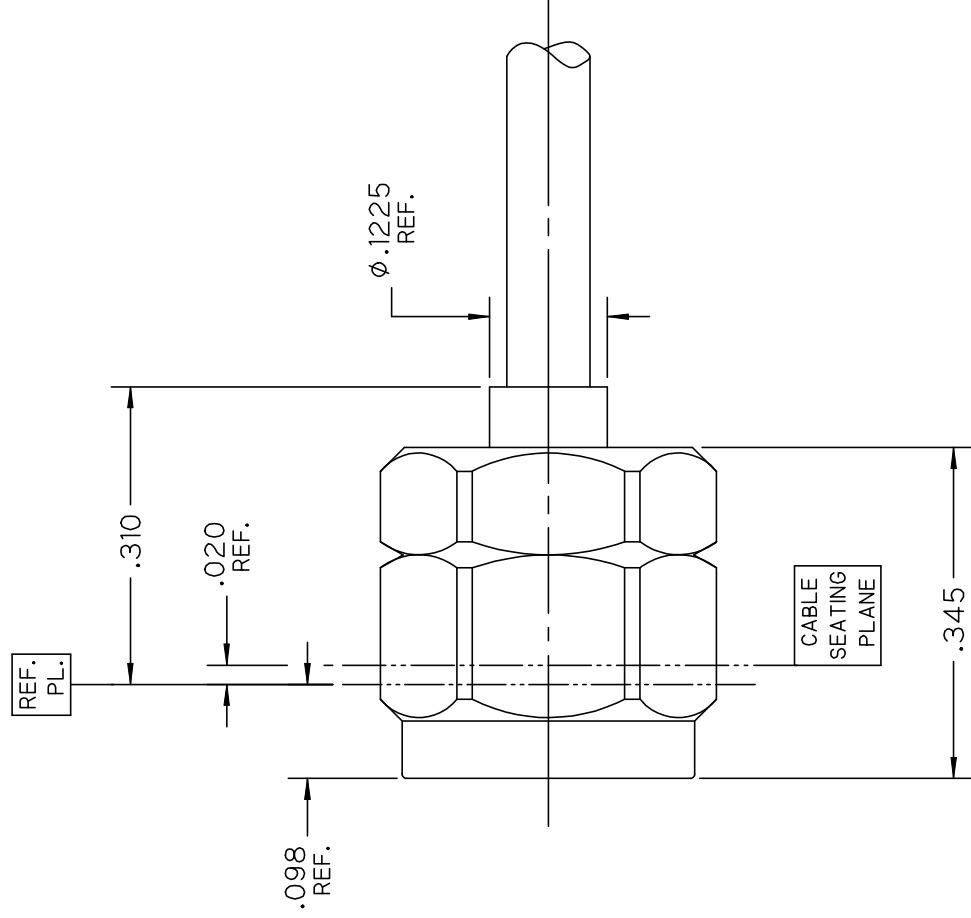
NOTES :

1.0 MATERIALS:

- 1.1 BODY: BERYLLIUM COPPER PER ASTM-B196.
UNS NO. C17300.
- 1.2 COUPLING NUT: STEEL, CORROSION RESISTANT PER
ASTM-A582. UNS NO. S30300.
- 1.3 LOCK RING: BERYLLIUM COPPER PER ASTM-B197.
UNS NO. C17200.
- 1.4 GASKET: SILICONE RUBBER PER A-A-59588.

2.0 FINISHES:

- 2.1 BODY: GOLD PLATE PER ASTM-B488, 50 MICROINCHES
MIN. THK. OVER ELECTROLYTIC NICKEL PLATE PER
ASTM-B689 50 MICROINCHES MIN. THK.
- 2.2 COUPLING NUT: PASSIVATE PER SAE-AMS-2700.
- 2.3 GASKET & LOCK RING: NONE.
- 3.0 INTERFACE : 1.85mm PLUG, MATES WITH 1.85mm SOCKET
PER IEEE-STD-287, FIGURE 1.4 (GPC)



REV.	DESCRIPTION	DATE	BY	APPVD
A	INITIAL RELEASE	11/08/12	MJK	MJK
B	REVISED NOTES 1.1 & 2.1 (SEE OBS.)	10/29/14	MJK	MJK



Precision Connector, Inc.

TOLERANCES UNLESS OTHERWISE SPECIFIED	DRAWN BY: MJK	DESC:
-XX ± .02	DATE: 11/08/12	1.85mm PLUG, DIRECT SOLDER, NO CONTACT FOR RG-405 CABLE
.XXX ± .005	CAGE CODE	
-XXXX ± .0005	4MJR5	
ANGLES ± 2°	SCALE	
	6:1	
	SHEET NO.	
	1 OF 1	
	DRAWING NUMBER	
	3140-0L	
	REV	
	B	