

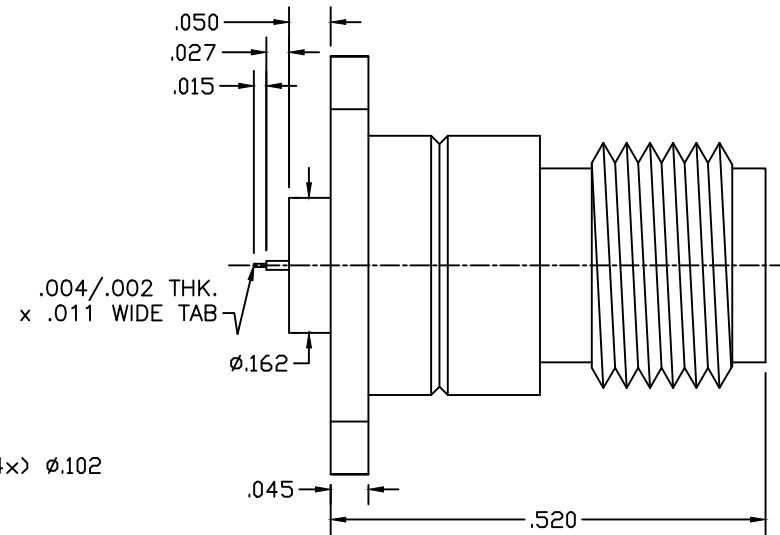
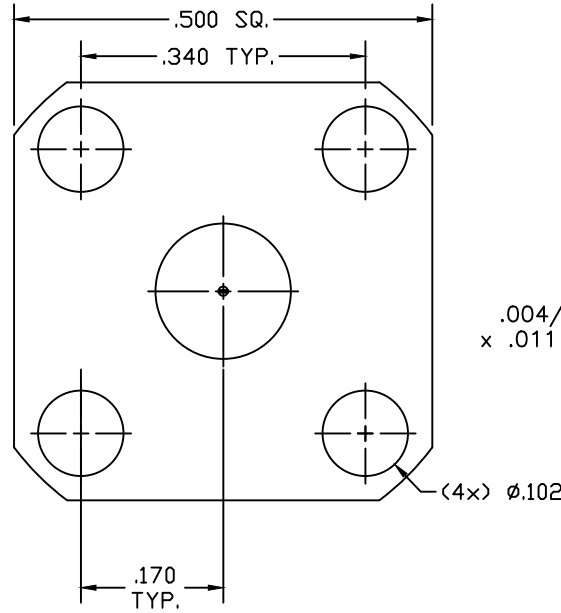
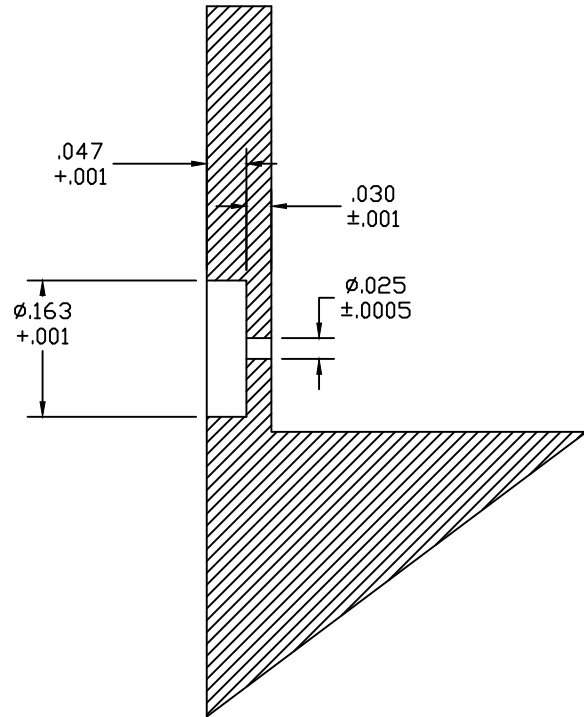
**NOTES:**


27-131-3015-40

**Materials:** SST. corrosion-resistant, Non Magnetic 303, per ASTM A484 and A582. Beryllium Copper per ASTM-B-196, QQ-C-530 Oxide-Noryl (tm), MIL-P-46129

**Finish:** Center Conductors and solder components shall be plated per MIL-G-45204 Type II, Class 1 over Nickel plate per QQ-N-290. Body and Body components shall be passivated per ASTM A380.

**Frequency:** DC-50 GHz  
**VSWR:** 1.3 TO 50 GHz  
**Insertion Loss:**  $.05\sqrt{\text{Frequency}}$



|     |             |       |       |  |         |                |  |       |                |
|-----|-------------|-------|-------|--|---------|----------------|--|-------|----------------|
| LTR | DESCRIPTION | DATE  | APPR. | DRAWN <b>LMW</b>   | CHECKED | USED ON        |  SRI CONNECTOR GAGE CO.<br>751 NORTH DRIVE<br>MELBOURNE FL. 32934 |       |                |
| -   | REL         | 04/03 |       | APPR.  | SCALE   | 27-131-3015-40 |  |       |                |
|     |             |       |       | UNLESS OTHERWISE SPECIFIED:<br>1. REMOVE ALL BURRS<br>2. BREAK ALL CORNERS & EDGES .005 R. MAX<br>3. CHAMFER 1st & LAST THREADS 45°<br>4. SURFACE FINISHED 32/ UNLESS OTHERWISE SPECIFIED.<br>5. DIAMETERS ON COMMON CENTERS TO BE CONCENTRIC WITHIN .002 T.I.R.<br>6. ALL DIMENSIONS ARE AFTER PLATING. |         | MATERIAL       | TITLE  |       |                |
|     |             |       |       | DIMENSIONS ARE IN INCHES<br>TOLERANCES   |         | FINISH         | 2.4mm JACK<br>MICROSTRIP CIRCUITS  |       |                |
|     |             |       |       | DECIMALS      FRACTIONAL      ANGULAR<br>.X                  ±.030                                  °                  ±1°0'<br>.XX                ±.010                                  '                 ±15'<br>.XXX              +.005                                  '                           | SIZE    | FSCM NO.       |  | SHEET | DWG. NO.       |
|     |             |       |       |  |         | A              | OHMO1  | 1     | 27-131-3015-40 |