

**NOTES:**

**Materials:** Beryllium Copper per ASTM-B-196, QQ-C-530  
Ultem 1000

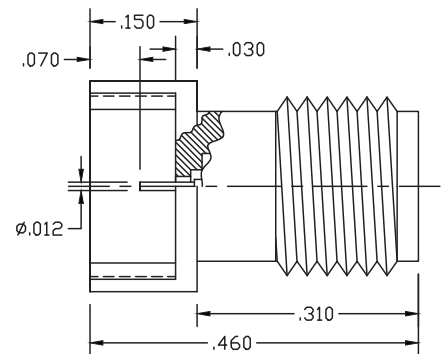
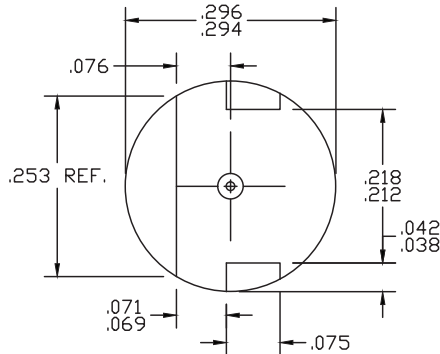
**Finish:** Center Conductors, Body, Body components and solder components shall be plated per MIL-G-45204 Type II, Class 1 over Nickel plate per QQ-N-290.

**Frequency:** DC-40 GHz

**VSWR:** 1.25 TO 40 GHz

**Insertion Loss:**  $.05 \sqrt{\text{Frequency}}$

25-146-1000-90



LTR	DESCRIPTION	DATE	APPR.	DRAWN LRH	CHECKED	USED ON	SRI CONNECTOR GAGE CO. 3950 DOW ROAD MELBOURNE FL. 32934	
-	REL	11/00		APPR.	SCALE	25-146-1000-90	TITLE	
A	ECN 2195	12/13		UNLESS OTHERWISE SPECIFIED: 1. REMOVE ALL BURRS 2. BREAK ALL CORNERS & EDGES .005 R. MAX 3. CHAMFER 1st & LAST THREADS 45° 4. SURFACE FINISHED 32√ UNLESS OTHERWISE SPECIFIED. 5. DIAMETERS ON COMMON CENTERS TO BE CONCENTRIC WITHIN .002. 6. ALL DIMENSIONS ARE AFTER PLATING.		MATERIAL	2.9mm FEMALE PCB MOUNT	
				DIMENSIONS ARE IN INCHES TOLERANCES		FINISH	SHEET	DWG. NO.
				DECIMALS	FRACTIONAL	ANGULAR	1	25-146-1000-90
				.X ±.030	± 1/64	.X° ±90°		
				.XX ±.010		.X°X' ±15'		
				.XXX ±.005				
						SIZE	FSCM NO.	
						A	OHMO1	