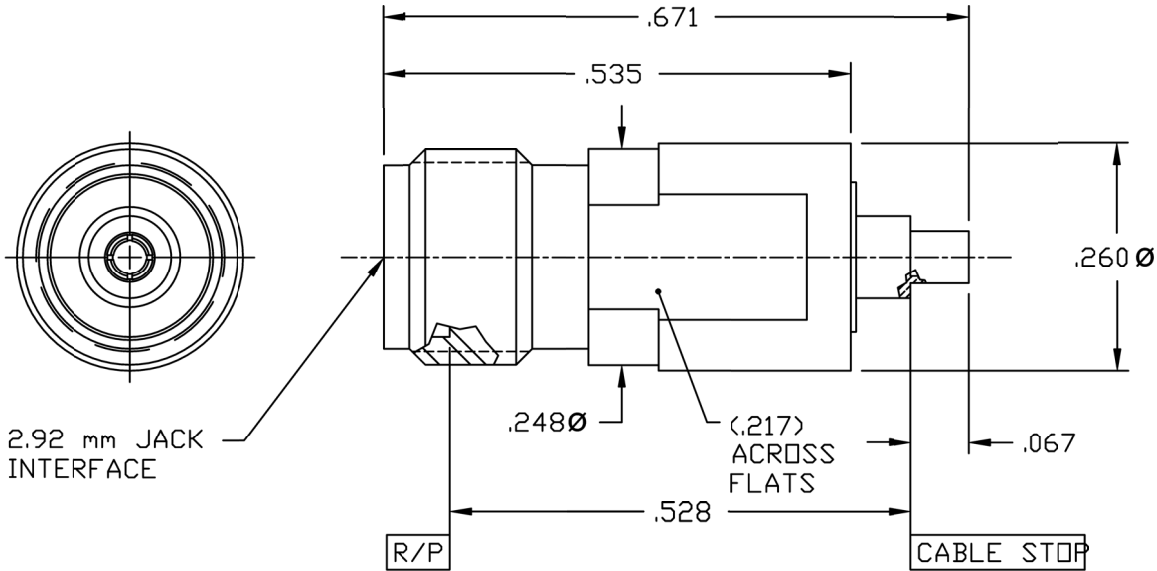
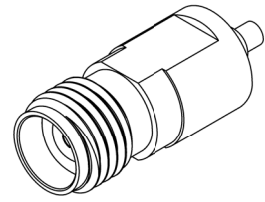


PROTOTYPE NUMBER

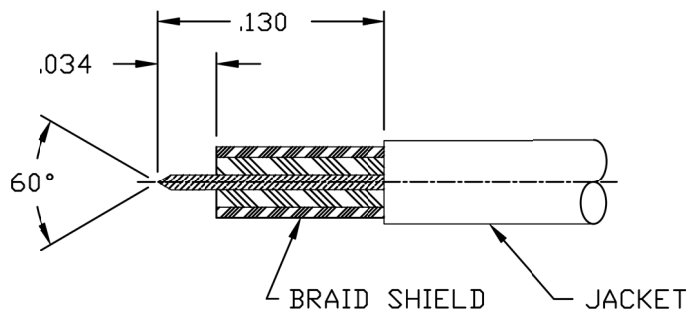
SK-4277

MATERIAL AND FINISH

CENTER CONTACT AND CABLE ADAPTER: BeCu; GOLD PLATE 75 MICROINCHES TYPICAL  
 OVER NICKEL PLATE 100 MICROINCHES TYPICAL  
 HOUSING: CRES 303; PASSIVATED  
 DIELECTRIC: POLYAMIDE-IMIDE  
 DIELECTRICS: VIRGIN PTFE



CABLE PREPARATION



SCALE 2:1

This drawing and any data contained herein is the property of Corning Gilbert Inc., and constitutes and contains proprietary and confidential information. Neither receipt nor possession of this drawing confers or transfers any right to duplicate, use or disclose any information contained herein except as expressly authorized by Corning Gilbert Inc.

2.9 mm JACK  
 TO .041  
 FLEX CABLE

IDENT CODE:  
 82316  
 REVISION: 02

**Corning Gilbert Inc.**

SOURCE FILE: SK-4277

DWG. NO.:

OL-SK-4277

ASSY. PROC.:

-