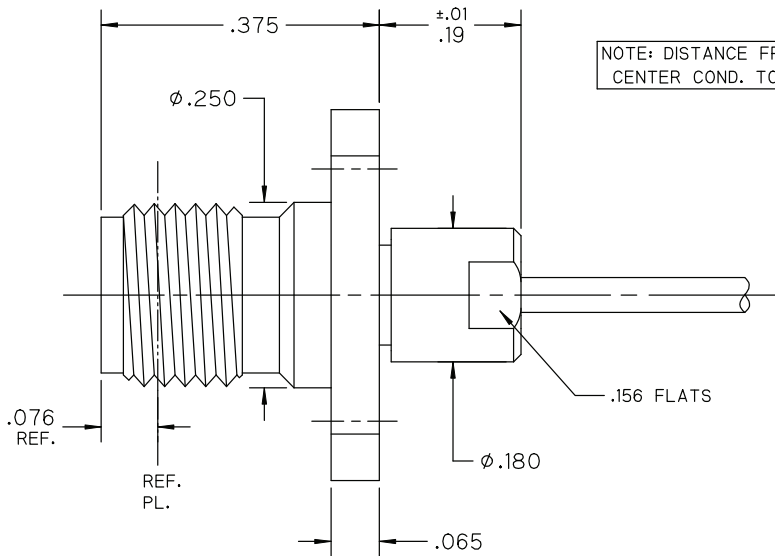
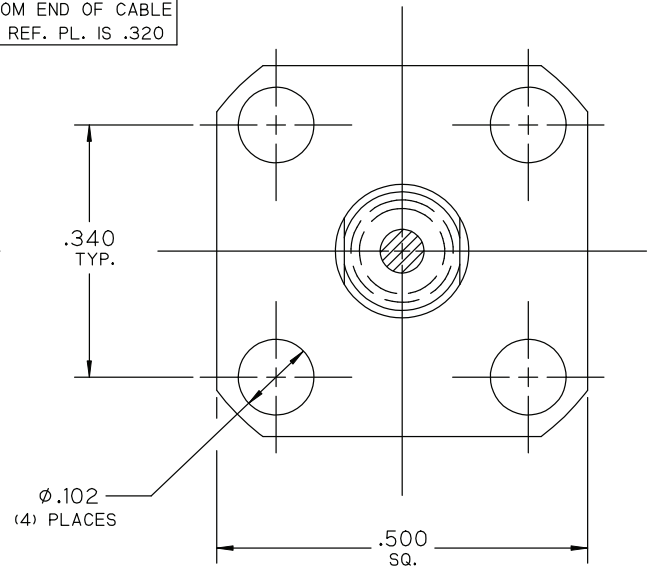


***** THIS DRAWING AND ITS CONTENTS ARE THE SOLE PROPERTY OF PRECISION CONNECTOR INC. AND ARE SUBJECT TO CHANGE WITHOUT NOTICE UNLESS OTHERWISE SPECIFIED *****

REV.	DESCRIPTION	DATE	BY	APPVD
A	INITIAL RELEASE	08/26/13	MJK	MJK



NOTE: DISTANCE FROM END OF CABLE CENTER COND. TO REF. PL. IS .320



NOTES :

1.0 MATERIALS:

- 1.1 BODY, BUSHING & CLAMP NUT: STEEL, CORROSION RESISTANT PER ASTM-A582, UNS NO. S30300.
- 1.2 CENTER COND.: BERYLLIUM COPPER PER ASTM-B196, UNS C17300.
- 1.3 SOLDER FERRULE: BRASS PER ASTM-B16, UNS C36000.
- 1.4 DIELECTRIC BEAD: POLYETHERIMIDE THERMOPLASTIC (ULTEM 1000) PER ASTM-D5205.

2.0 FINISHES:

- 2.1 CENTER COND. & SOLDER FERRULE: GOLD PLATE PER ASTM-B488, 50 MICROINCHES MIN. THK. OVER ELECTROLYTIC NICKEL PLATE PER ASTM-B689 50 MICROINCHES MIN. THK.
- 2.2 BODY, BUSHING, & CLAMP NUT: PASSIVATE PER SAE-AMS-2700.
- 2.3 DIELECTRIC: NONE.
- 3.0 INTERFACE PER PCI-2.92mm-SOC.



TOLERANCES UNLESS OTHERWISE SPECIFIED		DRAWN BY: MJK	DESC.: 2.92mm JACK, SOLDER CLAMP FOR .047 SEMI-RIGID CABLE		
.XX	± .02	DATE: 08/26/13	CAGE CODE	SCALE	SHEET NO.
.XXX	± .005		4MJR5	5:1	1 OF 1
.XXXX	± .0005				DRAWING NUMBER
ANGLES	± 2°				3853-OL
					REV
					A