

CATALOG NUMBER

0119-524-3

MATERIAL AND FINISH

HOUSING AND BUSHING:

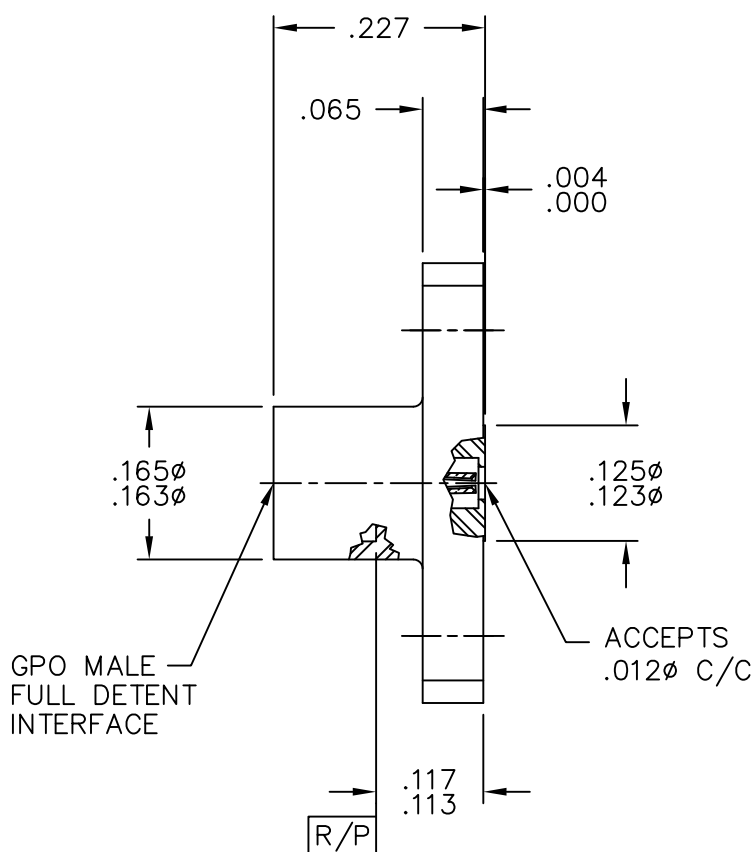
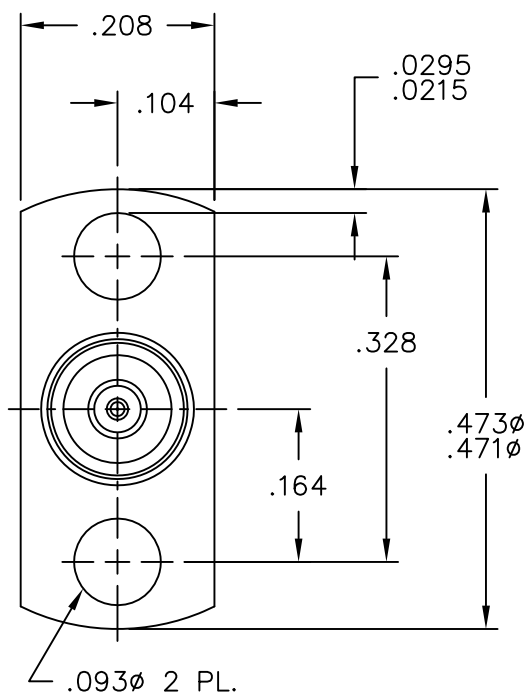
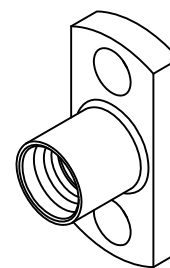
CRES 303; PASSIVATED

CENTER CONTACT:

BeCu; GOLD PLATE 75 MICROINCHES TYPICAL  
OVER NICKEL PLATE 100 MICROINCHES TYPICAL

DIELECTRICS:

VIRGIN PTFE



This drawing and any data contained herein is the property of Corning Gilbert Inc., and constitutes and contains proprietary and confidential information. Neither receipt nor possession of this drawing confers or transfers any right to duplicate, use or disclose any information contained herein except as expressly authorized by Corning Gilbert Inc.

GPO MALE FULL DETENT  
2 HOLE FLANGE MOUNT  
ACCEPTS .012 C/C

IDENT CODE:

82316

REVISION: E1

Corning Gilbert Inc.

SOURCE FILE: SK-0959

DWG. NO.: OL-0119-524-3

ASSY. PROC.: -