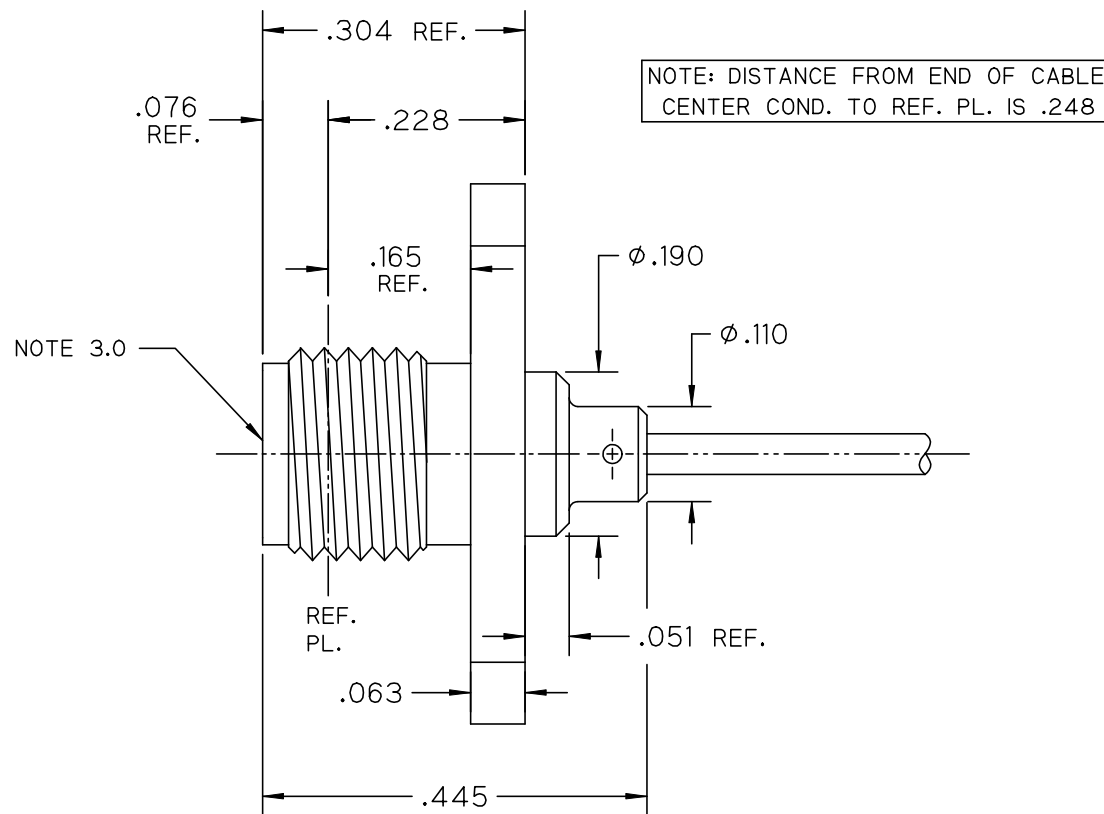
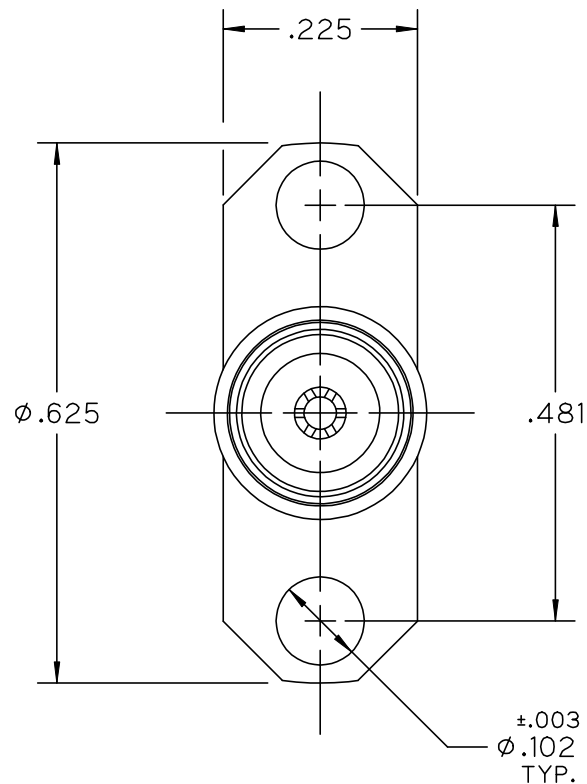


***** THIS DRAWING AND ITS CONTENTS ARE THE SOLE PROPERTY OF PRECISION CONNECTOR INC. AND ARE SUBJECT TO CHANGE WITHOUT NOTICE UNLESS OTHERWISE SPECIFIED *****

REV.	DESCRIPTION	DATE	BY	APPVD
A	INITIAL RELEASE	08/10/11	RDE	MJK



NOTES :

1.0 MATERIALS:

- 1.1 BODY: BRASS PER ASTM-B16, UNS C36000.
- 1.1 CENTER CONTACT: BERYLLIUM COPPER PER ASTM-A582.
- 1.2 INSULATOR: PTFE FLUOROCARBON PER ASTM-D1710.

2.0 FINISHES:

- 2.1 BODY & CENTER CONT.: GOLD PLATE PER ASTM B-488, 50 MICRINCHES MIN. THK. OVER ELECTROLYTIC NICKEL PLATE PER ASTM-B689, 50 MICRINCHES MIN. THK.
- 2.2 INSULATOR: NONE.

3.0 INTERFACE PER PCI-3.5mm-SOC.



REF. STORM P/N PT-0355

TOLERANCES UNLESS OTHERWISE SPECIFIED	DRAWN BY: RDE	PART DESCRIPTION: 3.5mm JACK, 2-HOLE FLANGE MOUNT FOR .047 SEMI-RIGID CABLE			
	DATE: 08/10/11	SCALE	SHEET NO.	DRAWING NUMBER	REV
.XX ± .02	CAGE CODE 4MJR5	9:2	1 OF 1	3640-0L	A
.XXX ± .005					
.XXXX ± .0005					
ANGLES ± 2°					