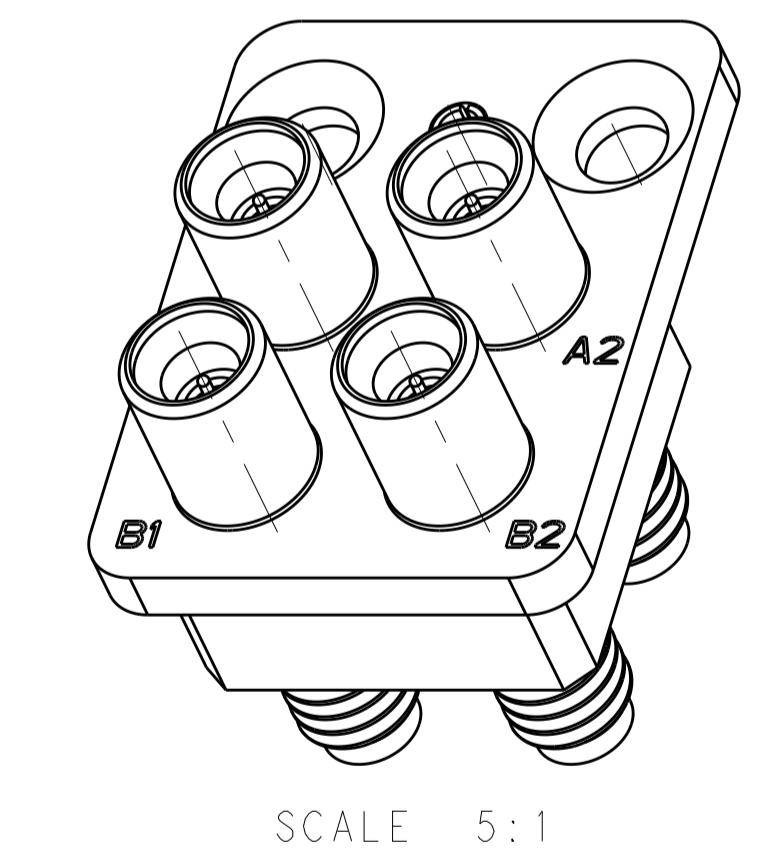
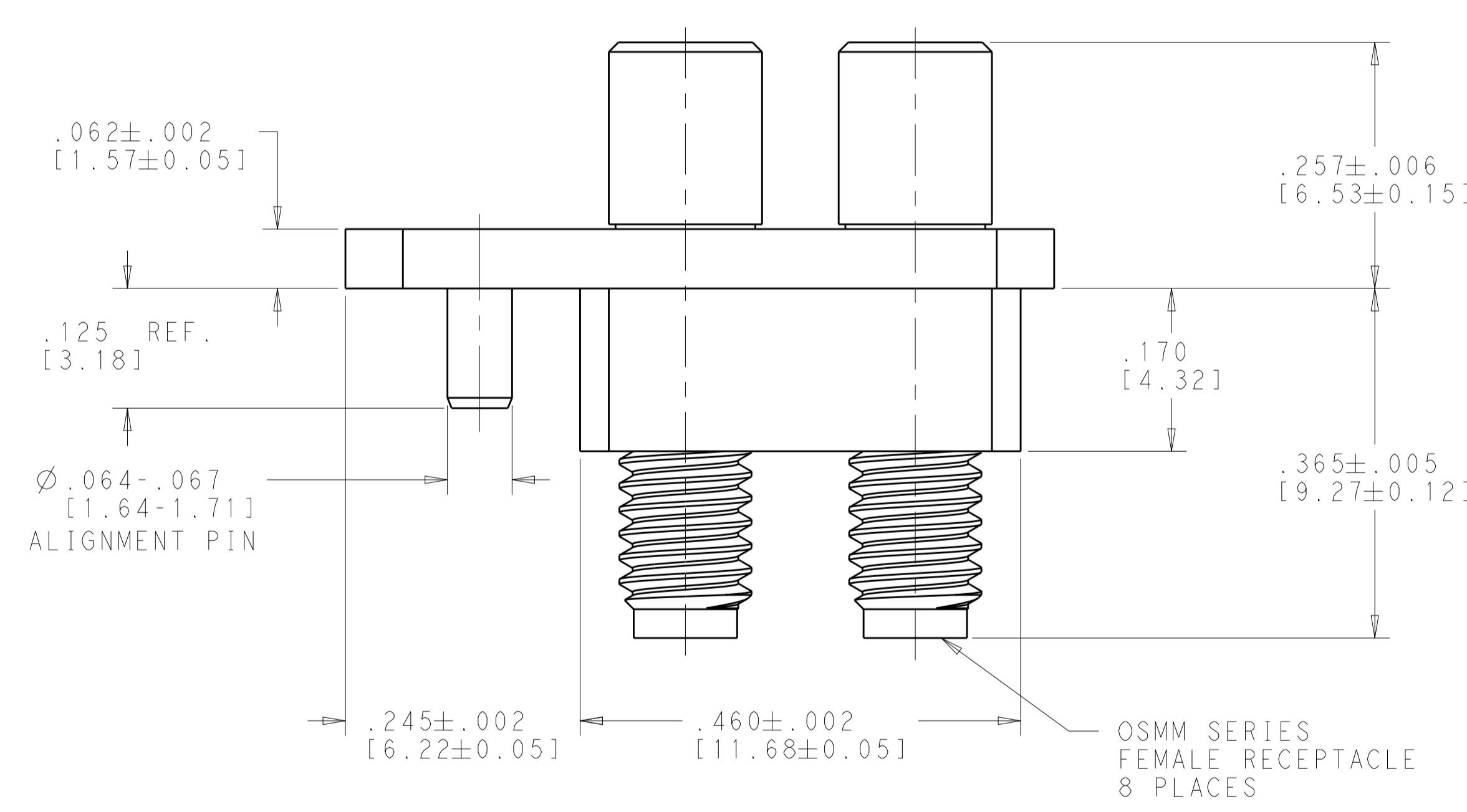
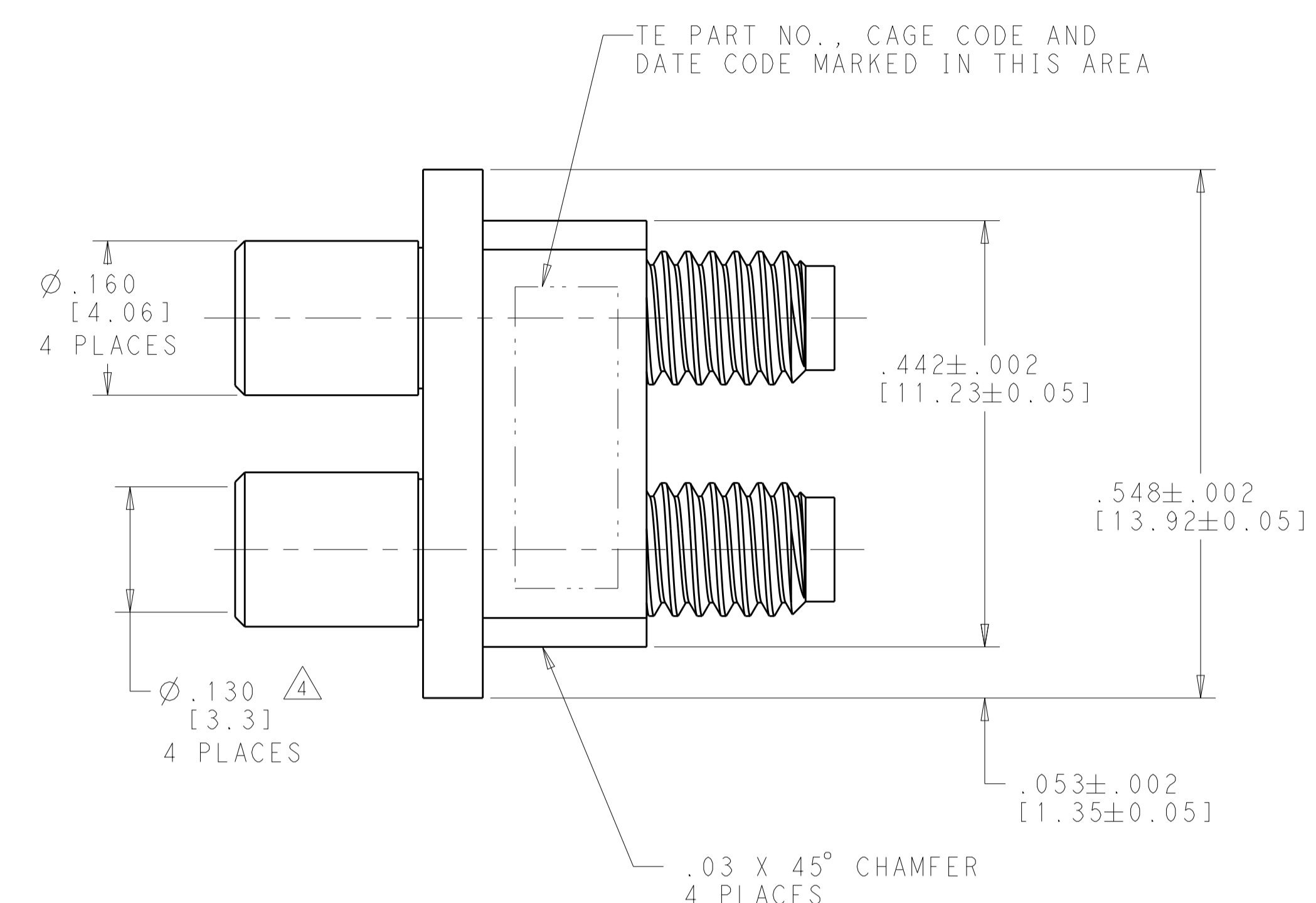
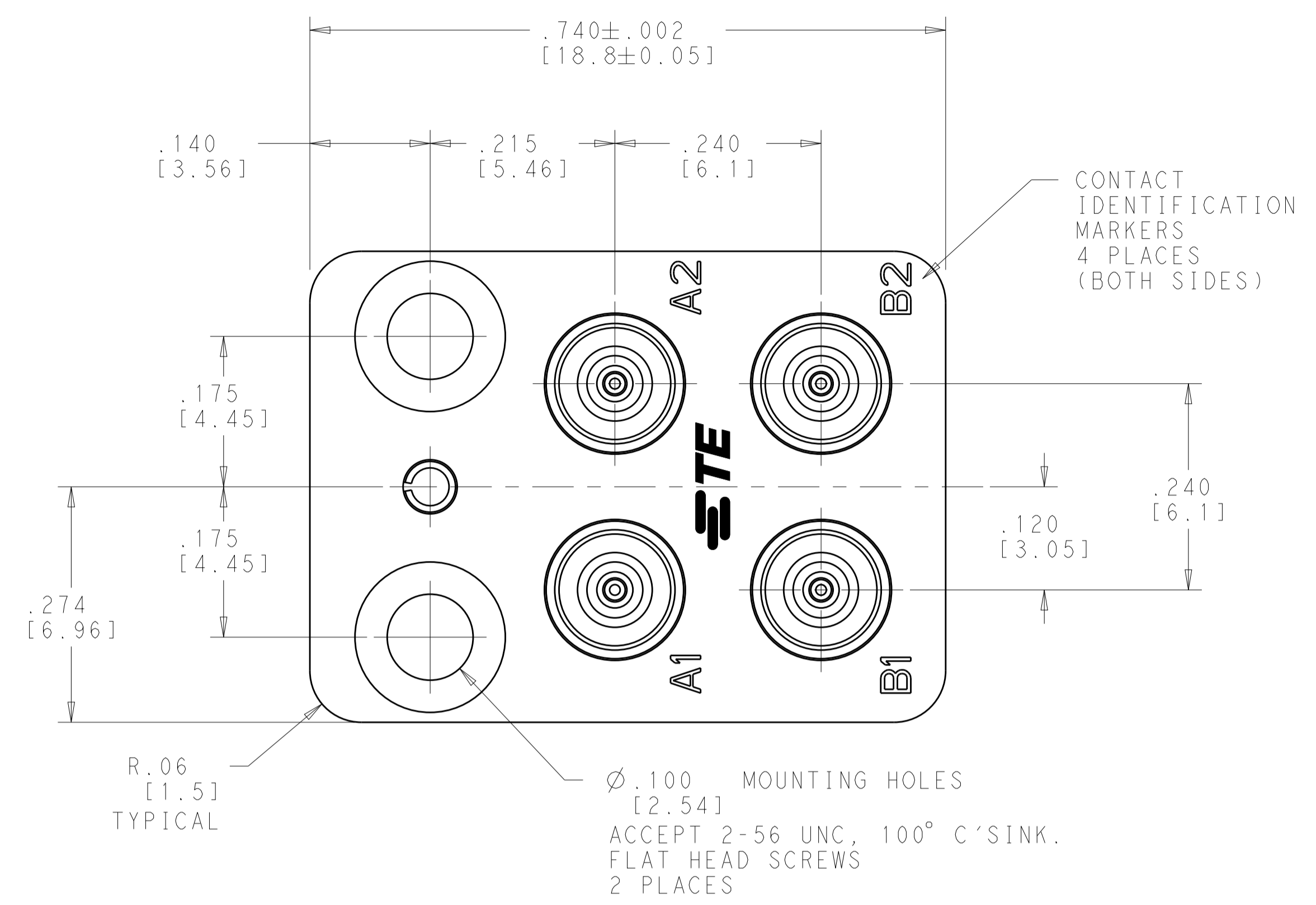


LOC	DIST	REV	DATE	BY	CHK	APPV
-	-	G	2-21-12	CT	WM	
-	-	H	24NOV2015	RS	CT	



- 1 MATERIAL:
SMOOTHBORE SMPM CONNECTOR BODY & CENTER CONTACT - BERYLLIUM COPPER, ALLOY UNS C17300 CONDITION TDO4, PER ASTM B196
INSULATORS - TEFLON (PTFE) ROD, PER ASTM D 1710
MODULE BODY - STAINLESS STEEL, PER UNS 30300
SLOTTED SPRING PIN - NICKEL STAINLESS STEEL
- 2 FINISH:
MODULE BODY, CONNECTOR BODIES AND CENTER CONTACTS - GOLD PLATE OVER NICKEL
SLOTTED SPRING PIN - PASSIVATED
- 3 FINISH:
MODULE BODY, OSMM CONNECTOR & SLOTTED SPRING PIN - PASSIVATED
SMOOTHBORE SMPM CONNECTOR BODY & CENTER CONTACT - GOLD PLATED OVER NICKEL
- 4 SMPM MALE SMOOTH BORE INTERFACE PER MIL-STD-348, EXCEPT AS NOTED

	3	2101510-2
OBSOLETE	2	2101510-1
	SURFACE FINISH	PART NUMBER

THIS DRAWING IS A CONTROLLED DOCUMENT. DWG: S.T. Morley 19AUG2009
CHK: S.T. Morley 19AUG2009
APPV: S.T. Morley 19AUG2009

STE TE Connectivity

DIMENSIONS: [INCHES(mm)] TOLERANCES UNLESS OTHERWISE SPECIFIED:
 0 PLC ±
 1 PLC ±
 2 PLC ±
 3 PLC ±.005 (0.13)
 4 PLC ±
 ANGLES ±

MATERIAL: SEE TABLE FINISH: SEE TABLE

NAME: 4 POSITION P.C.B. MOUNT R.F. MODULE SMPM SMOOTH BORE (M) TO OSMM (F) VITA 67, BACKPLANE
 SIZE: A1 CAGE CODE: 00779 DRAWING NO: 2101510
 WEIGHT: CUSTOMER DRAWING SCALE: 8:1 SHEET 1 OF 1 REV H