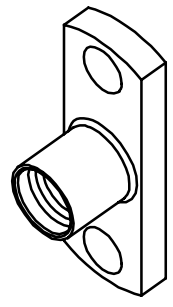
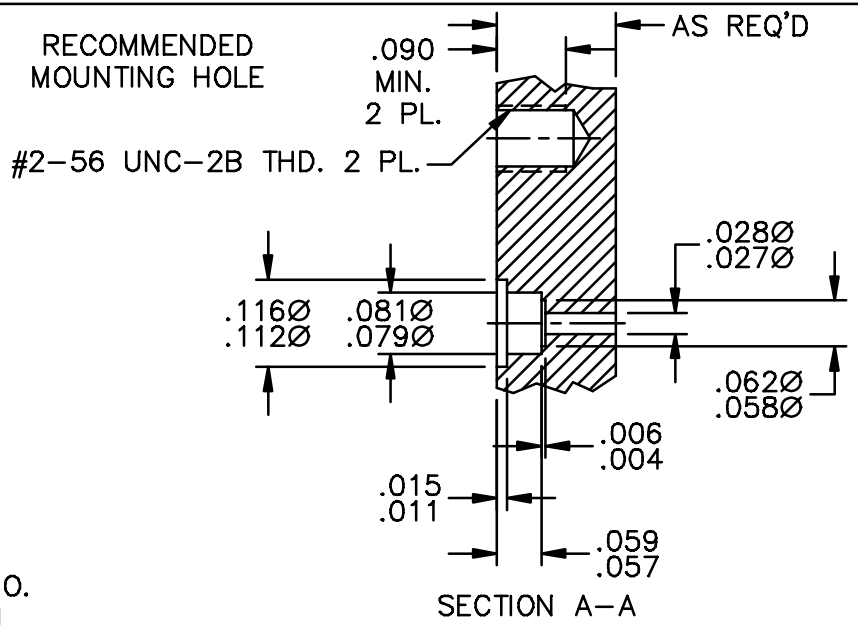
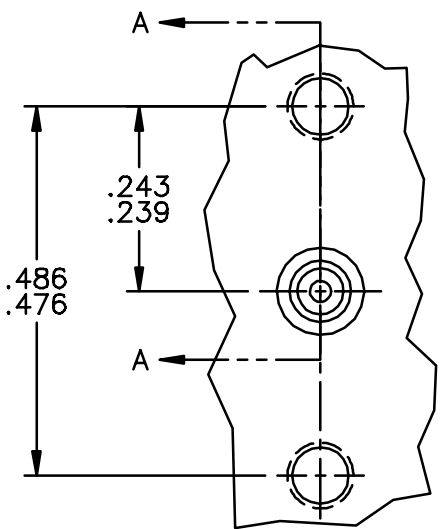
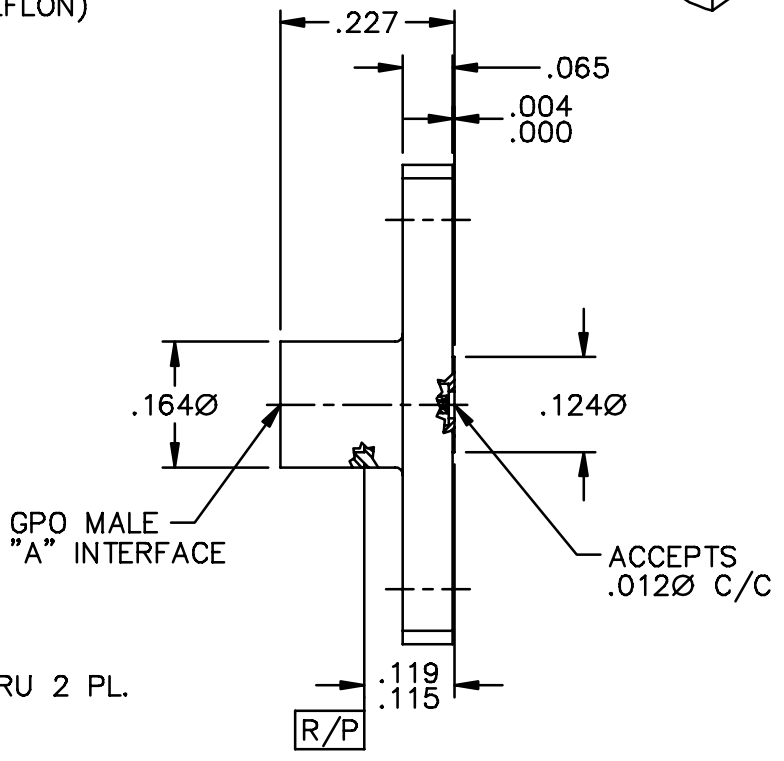
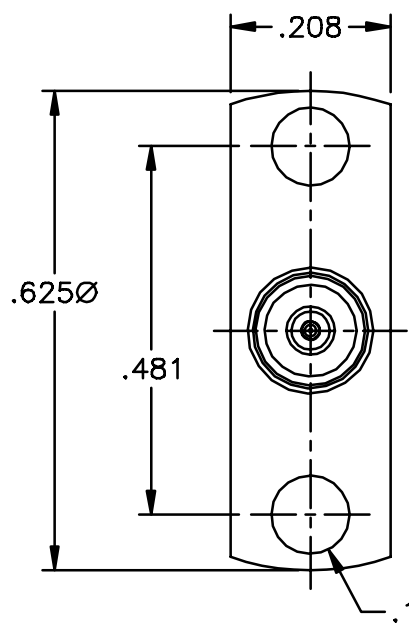


CATALOG NUMBER	"A" INTERFACE
A001-N33-02	FULL DETENT
A001-N34-02	LIMITED DETENT
A001-N35-02	SMOOTH BORE



MATERIAL AND FINISH

SHROUD AND BUSHING: CRES 303; PASSIVATED
 CENTER CONTACT: BeCu; GOLD PLATE 50-100 MICRONS OVER NICKEL PLATE 50 MICRONS MIN.
 DIELECTRICS: VIRGIN PTFE (TEFLON)



RECOMMENDED FOR USE WITH CATALOG NO. Y007-L42-01 OR SIMILAR HERMETIC SEAL

This drawing and any data contained herein is the property of Corning Gilbert Inc., and constitutes and contains proprietary and confidential information. Neither receipt nor possession of this drawing confers or transfers any right to duplicate, use or disclose any information contained herein except as expressly authorized by Corning Gilbert Inc.

GPO MALE 2 HOLE FLANGE MOUNT (TAB DETENT)	IDENT CODE: 82316	Corning Gilbert Inc.
	REVISION: B	
SOURCE FILE: MECR# 1834	DWG. NO.: OL-A001-N3X-02	ASSY. PROC.: —