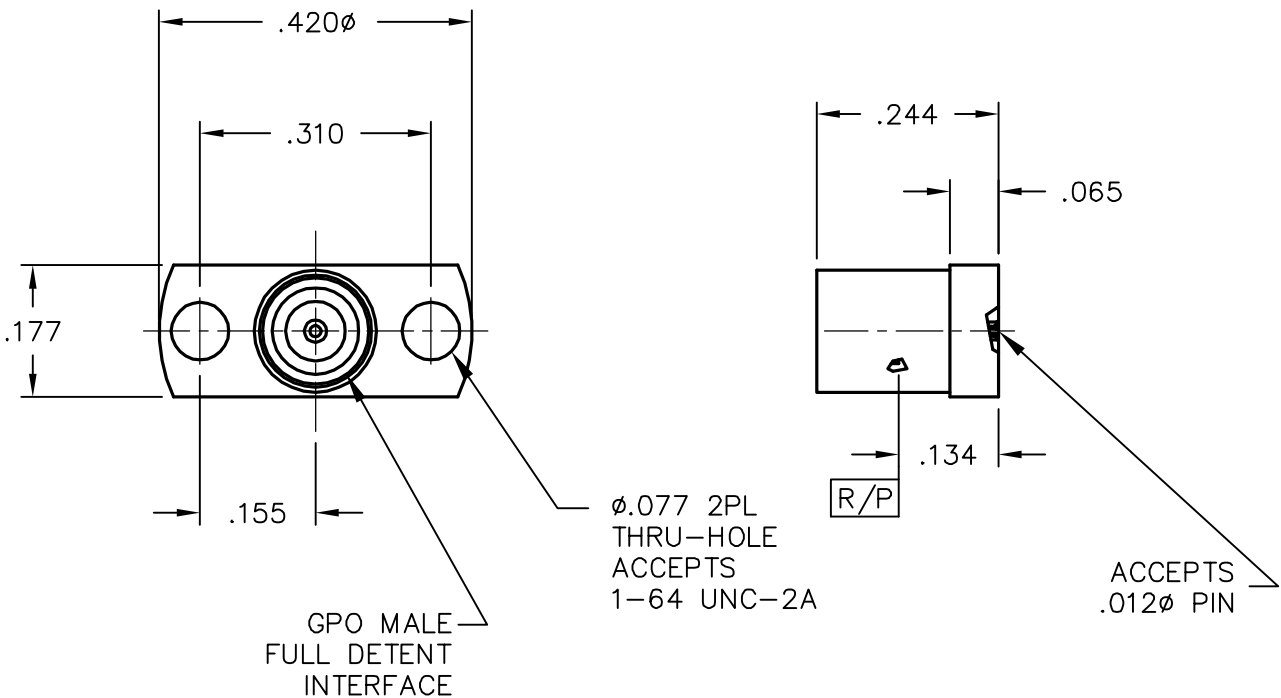


PROTO NUMBER

SK-4162

MATERIAL AND FINISH

FLANGE HOUSING: CRES 303; PASSIVATED
 CENTER CONTACT: BeCu; GOLD PLATE 75 MICROINCHES TYPICAL
 OVER NICKEL PLATE 100 MICROINCHES TYPICAL
 DIELECTRIC: VIRGIN PTFE



This drawing and any data contained herein is the property of Corning Gilbert Inc., and constitutes and contains proprietary and confidential information. Neither receipt nor possession of this drawing confers or transfers any right to duplicate, use or disclose any information contained herein except as expressly authorized by Corning Gilbert Inc.

GPO MALE FULL DETENT
FLANGE MOUNT ACCEPTS .012 PIN

IDENT CODE:
82316

REVISION: 01

B001-N33-02
Corning Gilbert Inc.

SOURCE FILE: SK-4162

DWG. NO.: OL-SK-4162

ASSY. PROC.: —